

Minimum 5 mm clearance to allow for thermal expansion

Ultraclad® UA 6324 Jointer Base
fixed to wall frame with 30 x 2.5 mm
clouts at 600 mm centres

Cavity batten
Refer V00 Batten Options

Note: Underlay strips to isolate aluminium
from treated timber battens
Refer V00

Minimum 5 mm clearance to allow for thermal expansion

Ultraclad® UA 7096 Flat Jointer Top

Ultraclad® horizontal weatherboard

Building underlay

Drained and vented cavity as per NZBC
E2/AS1 (section 9.1.8)

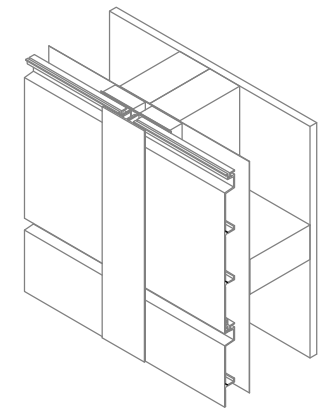
5 MIN 5 MIN

10

Note: Ensure to alternate spacing of
fixings for battens and locator clips
to avoid risk of splitting batten

Interior lining

Double studs behind
vertical jointer



ULTRACLAD
Ultra-high performance cladding systems

PO Box 58009
Botany
Auckland 2163

Tel: 0800 500 338
Email: buildingsystems@vulcan.co
Web: buildingsystems.vulcan.co

VULCAN.
© 2023 Vulcan. All rights reserved.

H03

HORIZONTAL WALL JOINTER

Building Systems: Horizontal Weatherboard Cavity System

REVISION: 11

SCALE: 1 : 2 (@A4)

DATE: 2024

BRANZ APPRAISAL #487