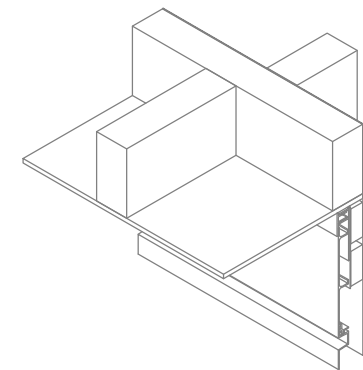


Note: Ensure to alternate spacings of fixings for battens and Locator Clips to avoid risk of splitting batten



**ULTRACLAD**  
Ultra-high performance cladding systems

PO Box 58009  
Botany  
Auckland 2163

Tel: 0800 500 338  
Email: buildingsystems@vulcan.co  
Web: buildingsystems.vulcan.co

**VULCAN.**  
© 2023 Vulcan. All rights reserved.

H07  
**SOFFIT DETAIL ON CAVITY**

Building Systems: Horizontal Weatherboard Cavity System

REVISION:	11
SCALE:	1 : 2 (@A4)
DATE:	2024
BRANZ APPRAISAL #487	