

Ultra Batten Ranges

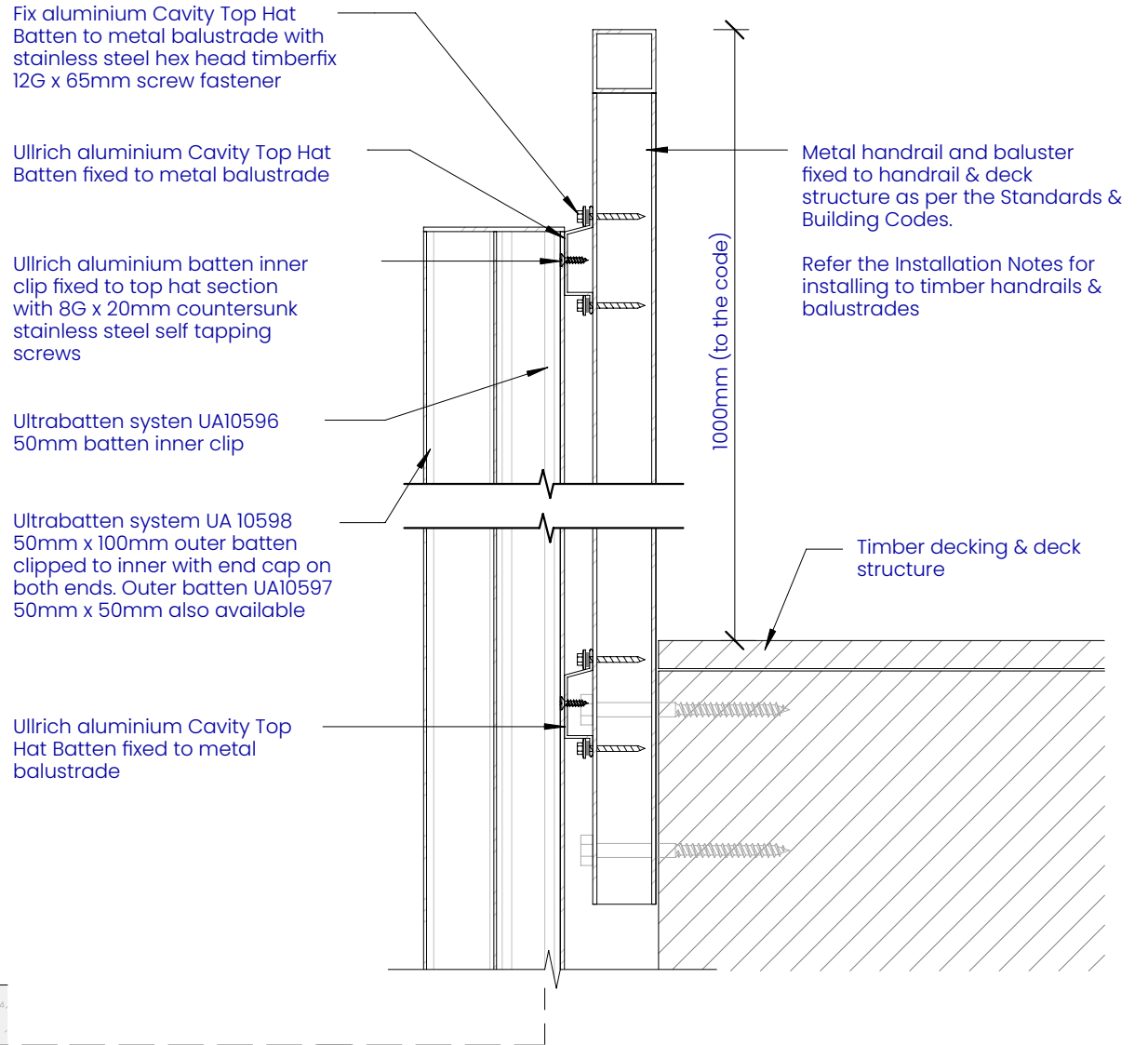
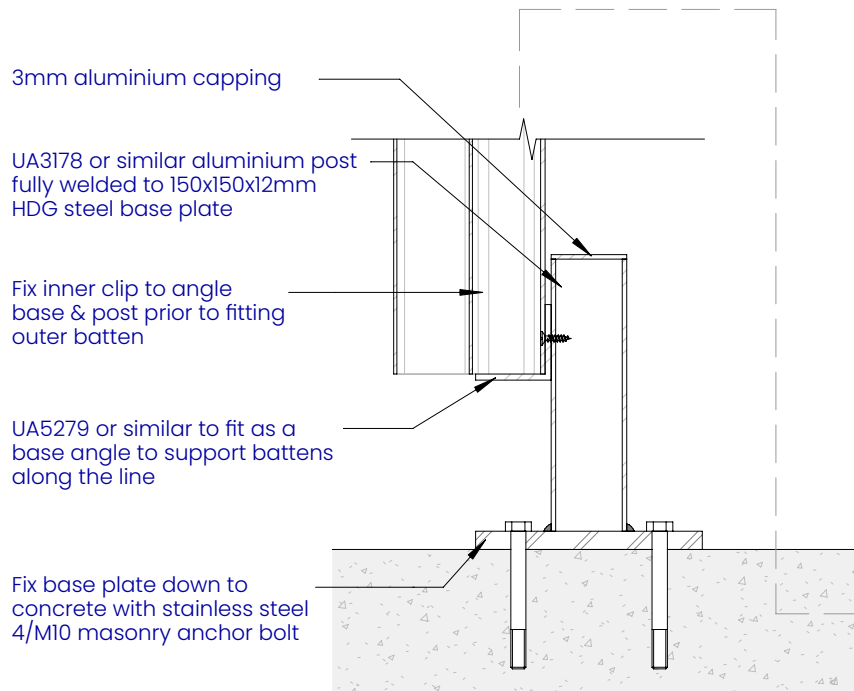
Outer battens are also available in 50mm, 150mm, and 200mm sizes.

Reference Limitation

This detail is an example of using UA10596 and UA10598 batten system demonstrating direct fix on concrete wall surface. For any other Ultra Batten profile fixing on concrete may be referred to this detail applying same method of installation of building elements such as damp proof course, underlays, membrane sheets etc.

Compliance Note

Although the details are generally in accordance with NZBC E2/AS1, the building Architect / Designer is ultimately responsible for details to meet the NZBC E2/AS1 and NASH Standard Part Two: May 2019



ULTRABATTEN

Ultra-high performance cladding systems

PO Box 58009
Botany
Auckland 2163

Tel: 0800 500 338
Email: buildingsystems@vulcan.co
Web: buildingsystems.vulcan.co

VULCAN
© 2023 Vulcan. All rights reserved.

UB05

RAINSCREEN SIDE FIXING DETAIL

Building Systems: UltraBatten Cladding System

REVISION:	01
SCALE:	1:5
DATE:	2024