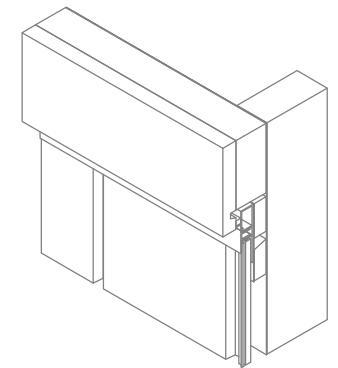
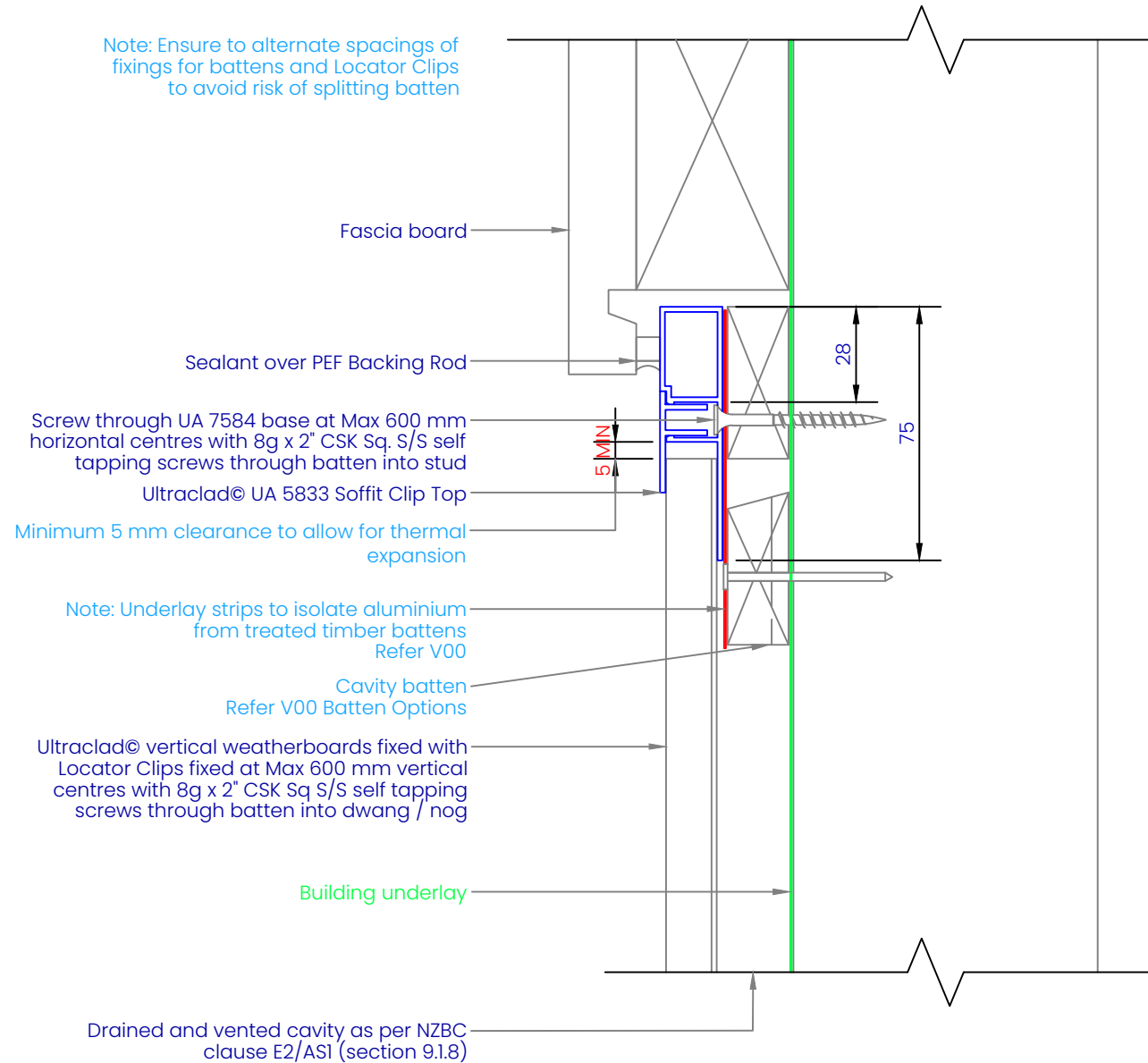


Note: Ensure to alternate spacings of fixings for battens and Locator Clips to avoid risk of splitting batten



ULTRACLAD
Ultra-high performance cladding systems

PO Box 58009
Botany
Auckland 2163

Tel: 0800 500 338
Email: buildingsystems@vulcan.co
Web: buildingsystems.vulcan.co

VULCAN.
© 2023 Vulcan. All rights reserved.

V05

NO SOFFIT DETAIL ON CAVITY

Building Systems: Vertical Weatherboard Cavity System

| | |
|----------------------|-------------|
| REVISION: | 11 |
| SCALE: | 1 : 2 (@A4) |
| DATE: | 2024 |
| BRANZ APPRAISAL #796 | |