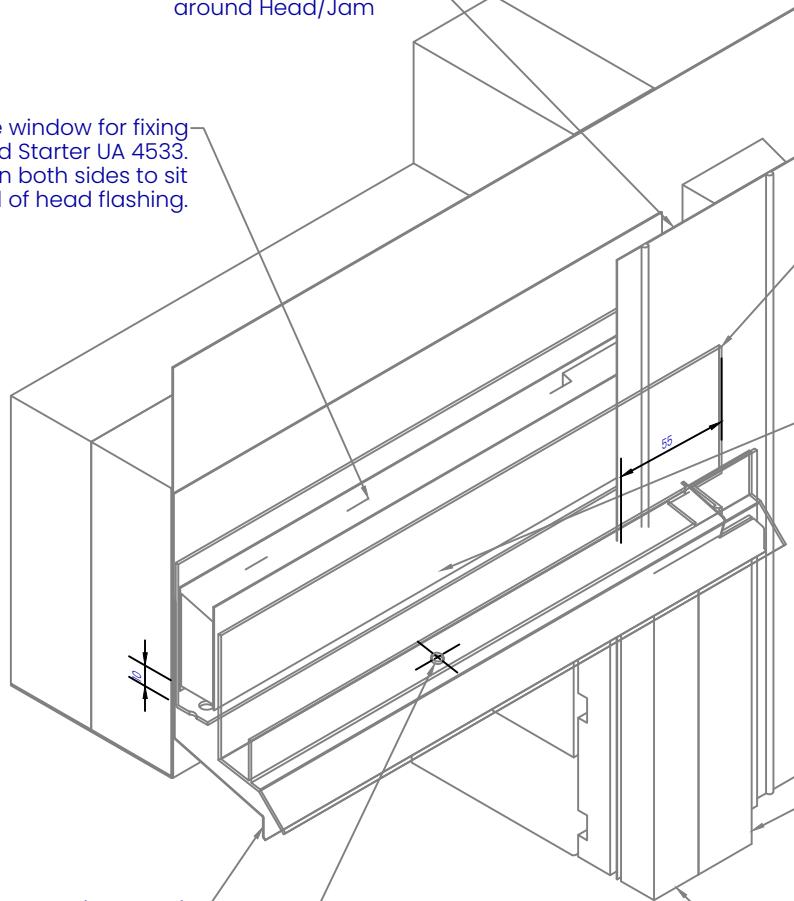


Vertical track flashing 0.9 mm folded aluminium flashing (hemmed) to 150 mm above window head. Alternatively use Dynex Dynaflash - Trimmed to fit around Head/Jam

Battens above window for fixing window head Starter UA 4533. Outer batten both sides to sit inside stopend of head flashing.



Ultraclad® UA 4533 Head Starter

Ultraclad® Cavity Vent Strip Alternatively use PVC

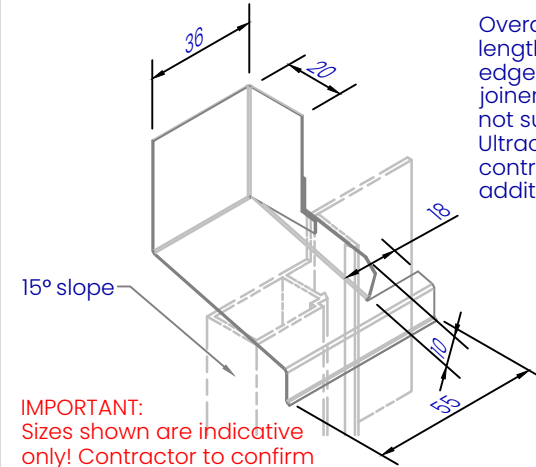
Ultraclad® UA 5833 Soffit Clip Top

Ultraclad® UA 7584 Jamb Flashing

Window Head Flashing (15° slope) folded stop end. (Note: not supplied with Ultraclad® system - contractor to supply as additional flashing)

Ultraclad® UA 4533 Head Starter 5 mm diameter drainage holes drilled through base of Head Starter at 300 mm centres

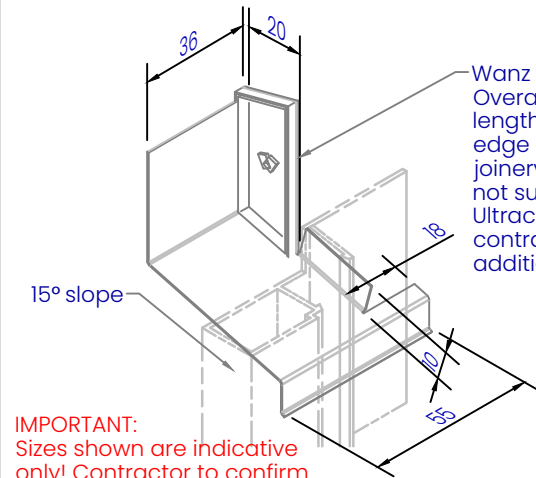
Window Head Flashing Option 1 Cut & Fold Stop End (1 : 2)



Overall Head Flashing length = +40 mm past edge of window and door joinery on each side. (Note: not supplied with Ultraclad® system - contractor to supply as additional flashing)

IMPORTANT: Sizes shown are indicative only! Contractor to confirm onsite as joinery suites may vary

Window Head Flashing Option 1 Wanz Plastic Stop End Cap (1 : 2)



Wanz Plastic Stop End Overall Head Flashing length = +40 mm past edge of window and door joinery on each side. (Note: not supplied with Ultraclad® system - contractor to supply as additional flashing)

IMPORTANT: Sizes shown are indicative only! Contractor to confirm onsite as joinery suites may vary

ULTRACLAD

Ultra-high performance cladding systems

PO Box 58009
Botany
Auckland 2163

Tel: 0800 500 338
Email: buildingsystems@vulcan.co
Web: buildingsystems.vulcan.co

VULCAN.
© 2023 Vulcan. All rights reserved.

V12

HEAD FLASHING/ HEAD STARTER /JAMB ISO

Building Systems: Vertical Weatherboard Cavity System

REVISION: 11

SCALE: 1 : 3 (@A4)

DATE: 2024

BRANZ APPRAISAL #796