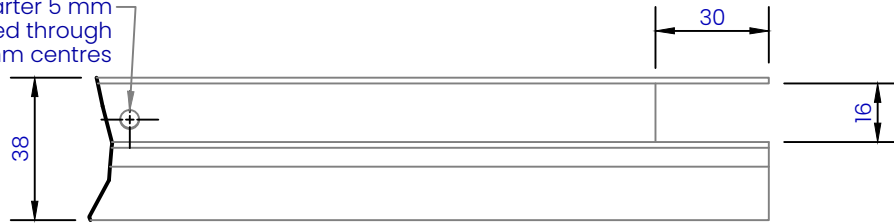
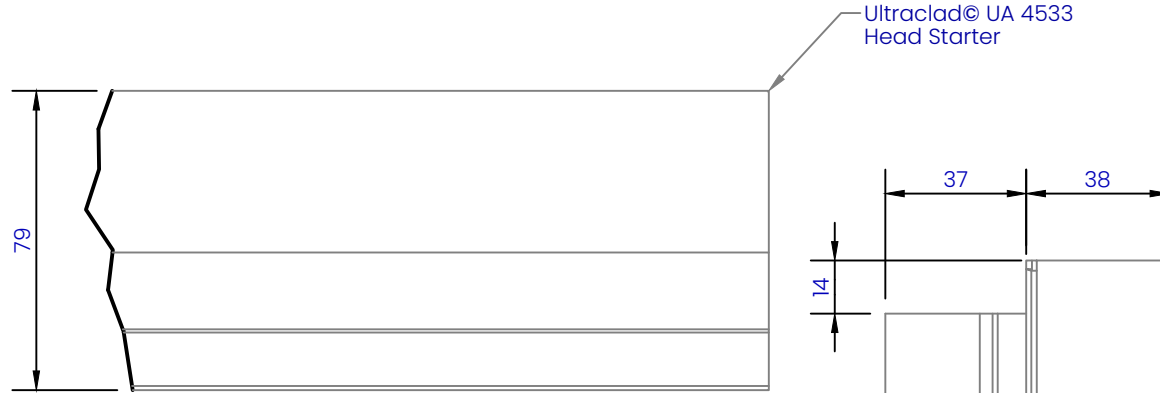
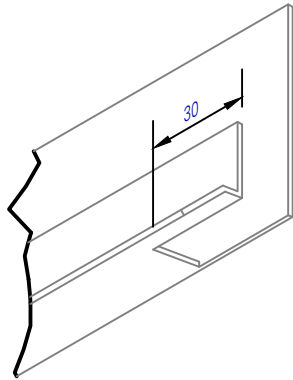


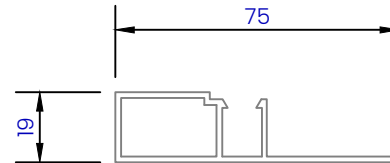
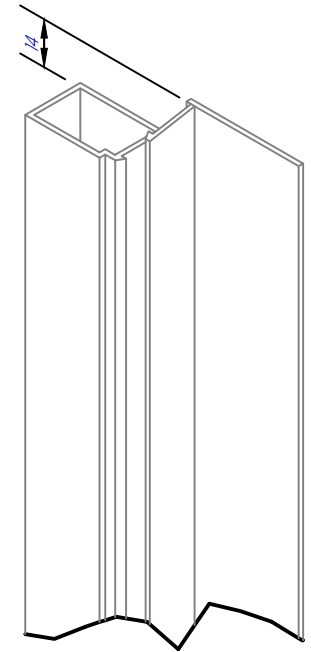
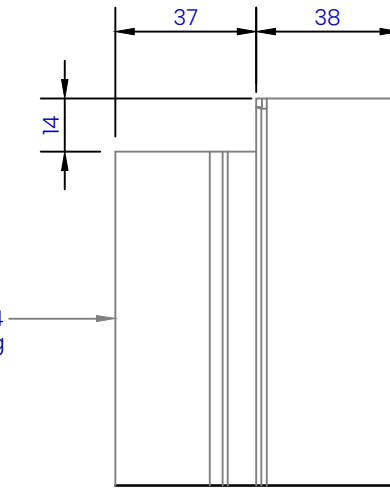
Ultraclad® UA 4533 Head Starter 5 mm diameter drainage holes drilled through base of Head Starter at 300 mm centres



**IMPORTANT:**  
 Sizes shown are indicative only!  
 Contractor to confirm onsite as  
 joinery suites may vary.



Ultraclad® UA 7584  
 Jamb Flashing



REVISION:	11
SCALE:	1 : 2 (@A4)
DATE:	2024
BRANZ APPRAISAL #796	