

Ultraclad® vertical weatherboards fixed with Locator Clips fixed at Max 600 mm vertical centres with 8g x 2" CSK Sq S/S self tapping screws through batten into dwang / nog

Ultraclad® Cavity Vent Strip
Alternatively use PVC type

Note: Underlay strips to isolate aluminium from treated timber battens
Refer V00

Flashing tape

Cavity batten
Refer V00 Batten Options

Ultraclad® UA 4863 Vertical Starter Strip fixed to framing at 300 mm centres with 8g x 2" CSK Sq. S/S self tapping screws

Ultraclad® UA 4533 Head Starter 5 mm diameter drainage holes drilled through base of flashing at 300 mm centres

Aluminium flashing 15° slope
(Note: not supplied with Ultraclad® system - contractor to supply as additional flashing, stop end etc.)

20mm x 20mm angle sealed and riveted to meter box

Note: Ensure to alternate spacings of fixings for battens and Locator Clips to avoid risk of splitting batten

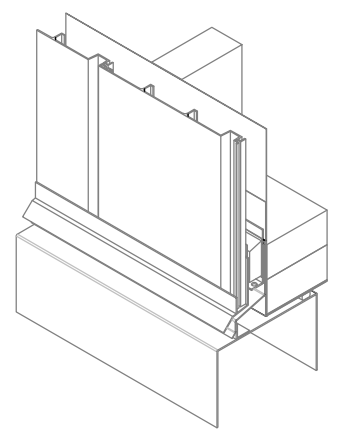
Building underlay continuous behind head flashing and into opening

Nog as required

Flexible flashing tape at corners

Air seal over PEF Rod around all sides of meter box

Meter box



REVISION:	11
SCALE:	1 : 2 (@A4)
DATE:	2024
BRANZ APPRAISAL #796	