

# VERTICAL WEATHERBOARD CAVITY SYSTEM

REV: 11 2024

- V00: [Wall Batten Elevation](#)
- V01: [External Corner on Cavity](#)
- V02: [Internal Corner on Cavity](#)
- V03: [90 Deg Corner Cap](#)
- V04: [Vertical Wall Starter](#)
- V05: [No Soffit Detail on Cavity](#)
- V06: [Soffit Detail on Cavity](#)
- V07: [Timber Floor on Cavity](#)
- V08: [Window Head on Cavity](#)
- V09: [Window Jam on Cavity](#)
- V10: [Window Sill on Cavity](#)
- V11: [Sill - Jamb on Cavity](#)
- V12: [Head Flashing / Head Starter / Jamb Iso](#)
- V13: [Head - Jamb Iso](#)
- V14: [Head - Jamb Notching Details](#)
- V15: [Meter Box Head on Cavity](#)
- V16: [Meter Box Jamb on Cavity](#)
- V17: [Meter Box Sill on Cavity](#)
- V18: [Pipe Penetrations on Cavity](#)
- V19: [Roof - Wall Junction on Cavity](#)
- V20: [Gutter Wall Junction on Cavity](#)
- V21: [Parapet on Cavity](#)
- V22: [Deck Junction on Cavity](#)
- V23: [Inter - Storey Junction on Cavity](#)
- V24: [Profiles](#)

**ULTRACLAD**  
Ultra-high performance cladding systems

PO Box 58009  
Botany  
Auckland 2163

Tel: 0800 500 338  
Email: [buildingsystems@vulcan.co](mailto:buildingsystems@vulcan.co)  
Web: [buildingsystems.vulcan.co](http://buildingsystems.vulcan.co)

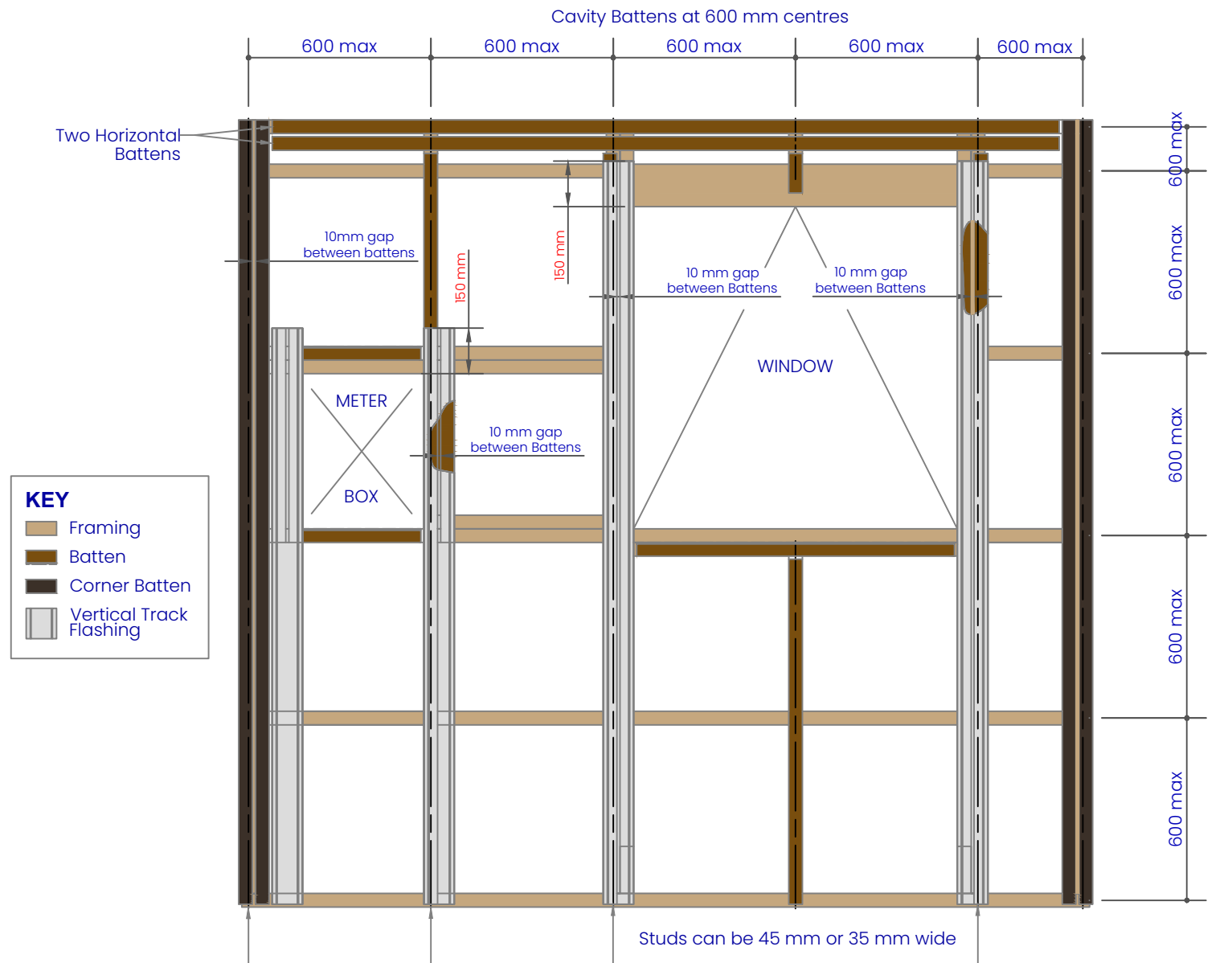
**VULCAN.**  
© 2023 Vulcan. All rights reserved.

VER

**Vertical Weatherboard Cavity System**

Building Systems

REVISION:	11
SCALE:	1 : 2 (@A4)
DATE:	2024
BRANZ APPRAISAL #796	



### Batten options

Impervious barrier ( MDPE ) or similar tape between cladding and batten.  
To comply with NZBC E2/AS1 - Table 23.

**Note:**  
Some machining of battens may be required to avoid "build up". i.e. back flashings / tapes

### Cavity plastic Batten

**Note:** packing/shims may be needed to ensure boards are fitted flat without distortion.  
\* Additional timber may be required at soffit to support UA 5831 Soffit Base.

### Note: Important

Underlay strips to isolate aluminium from treated timber battens 50 mm wide medium density polyethylene ( MDPE )

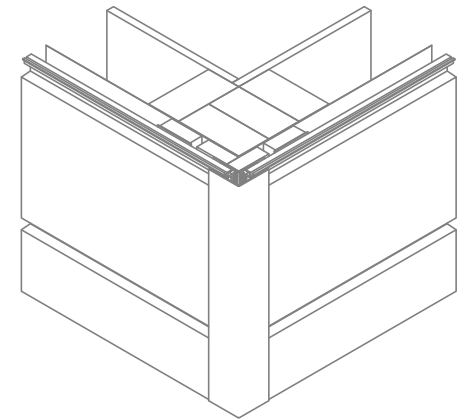
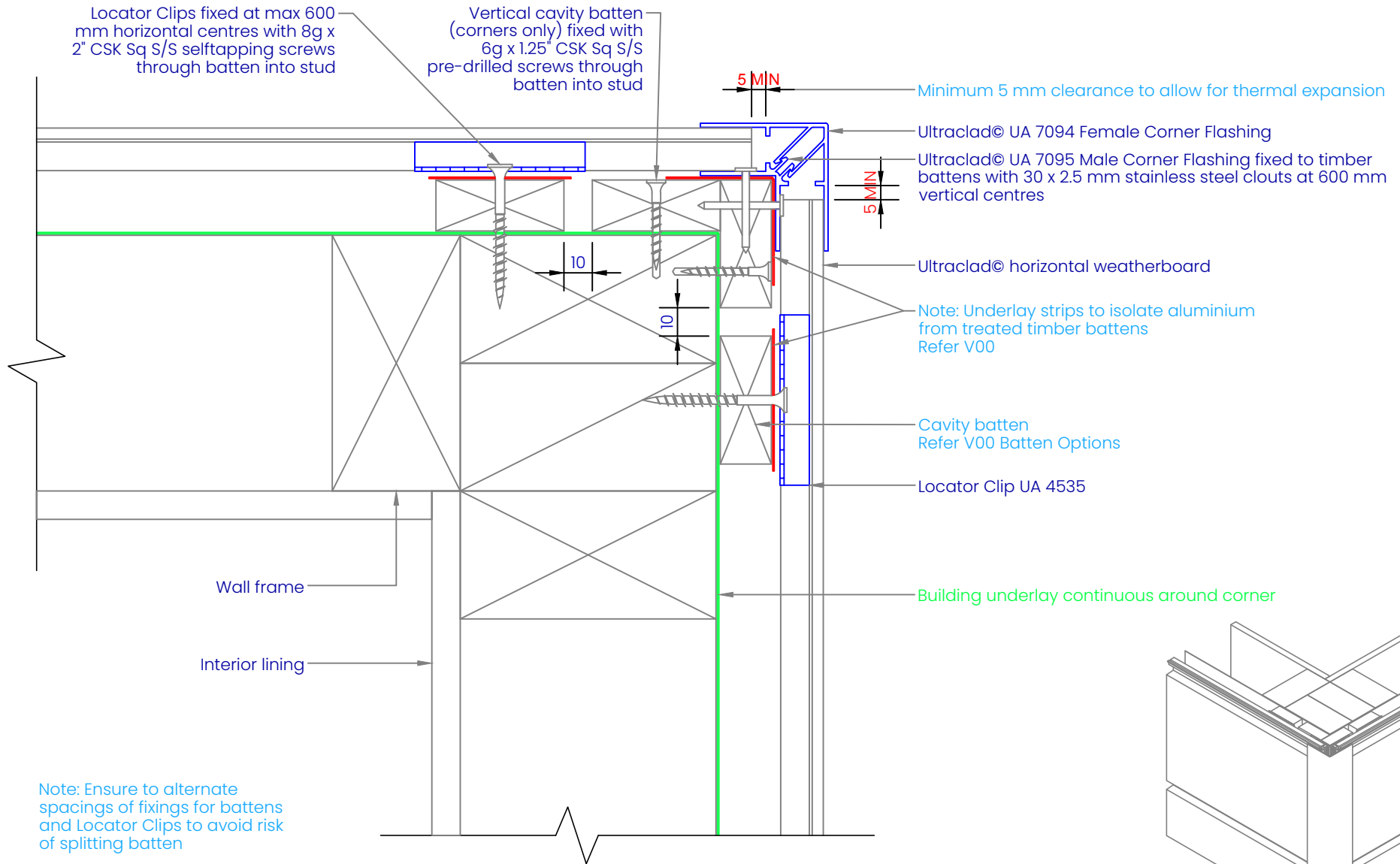
To comply with NZBC E2/AS1 - Table 23.  
Properties of roofing underlays and wall underlays, separates aluminium components and accessories from timber battens treated with copper-based treatments

Cavity closers required as per NZBC E2/AS1 (section 9.1.8)

Vertical Cavity Corner Batten  
50 x 25 mm H3.1 treated Radiata.  
Cavity battens fixed with 6g x 1.25" CSK Sq S/S pre-drilled screws through batten into stud

0.9 x 90 mm Aluminium Track Flashing.  
Alternatively use Dynex Dynaflash.

REVISION:	11
SCALE:	1 : 20 (@A4)
DATE:	2024
BRANZ APPRAISAL #796	



**ULTRACLAD**  
Ultra-high performance cladding systems

PO Box 58009  
Botany  
Auckland 2163

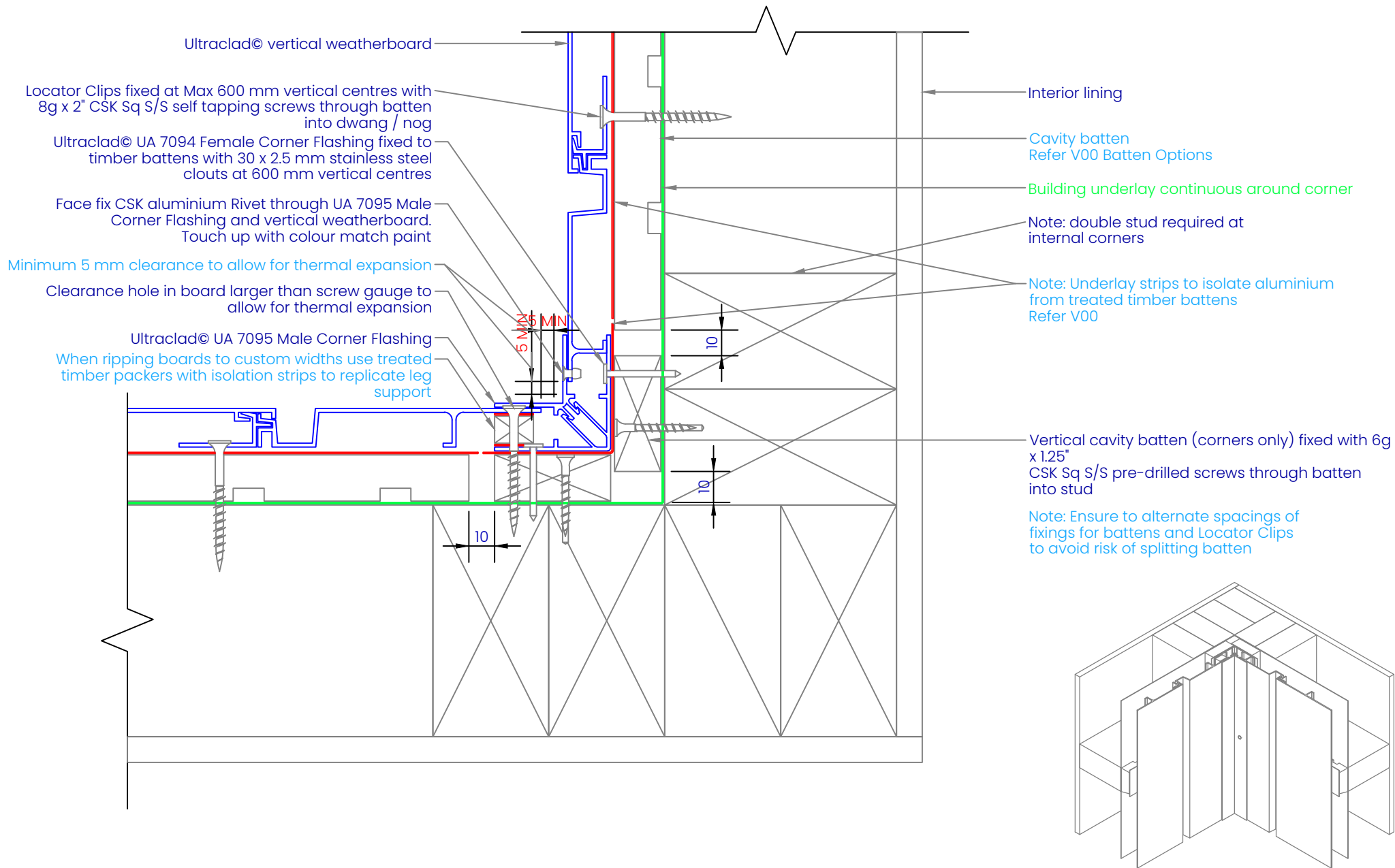
Tel: 0800 500 338  
Email: buildingsystems@vulcan.co  
Web: buildingsystems.vulcan.co

**VULCAN.**  
© 2023 Vulcan. All rights reserved.

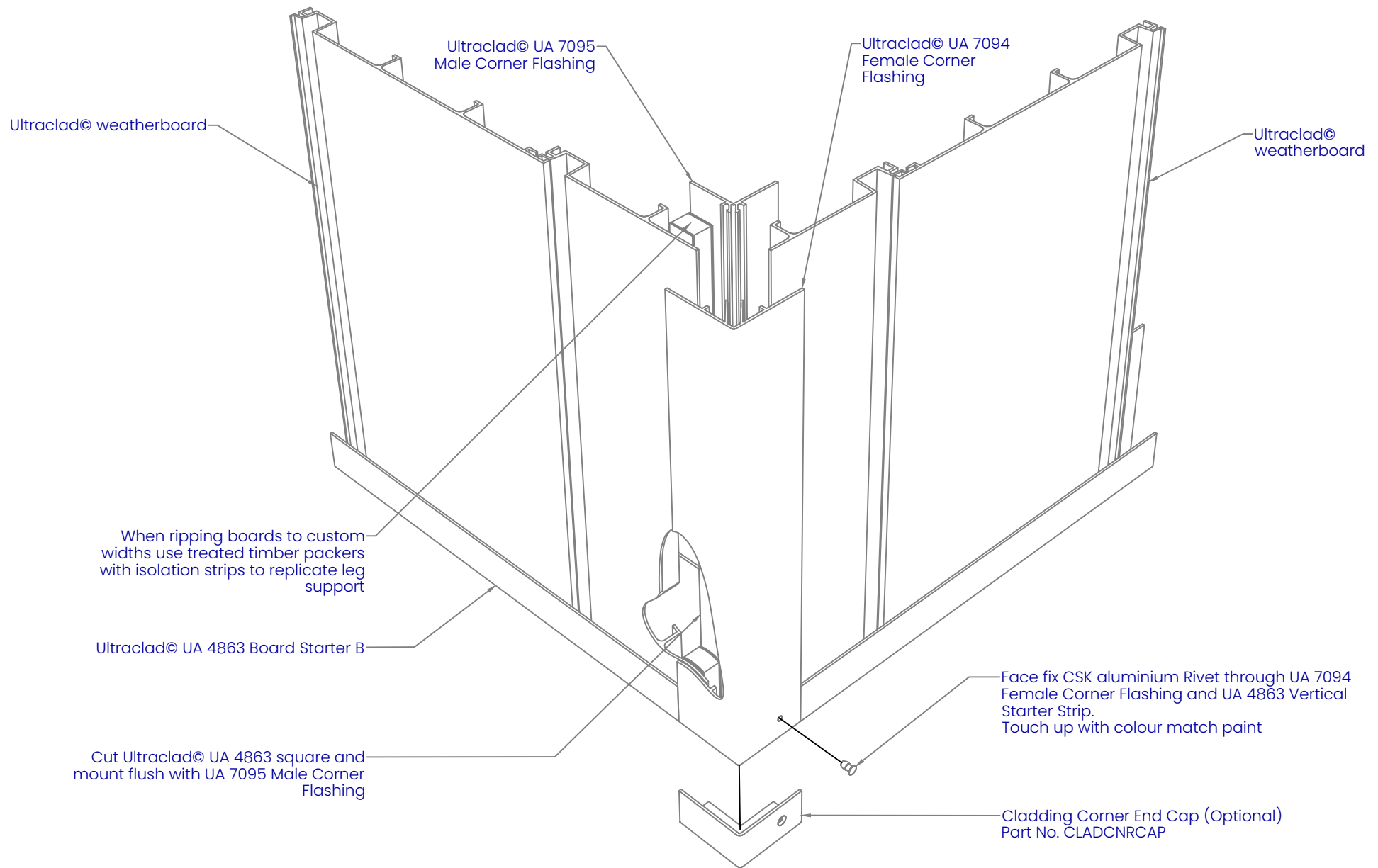
V01  
**EXTERNAL CORNER ON CAVITY**

Building Systems: Vertical Weatherboard Cavity System

REVISION:	11
SCALE:	1 : 2 (@A4)
DATE:	2024
BRANZ APPRAISAL #796	



REVISION:	11
SCALE:	1 : 2 (@A4)
DATE:	2024
BRANZ APPRAISAL #796	



REVISION:	11
SCALE:	1 : 3 (@A4)
DATE:	2024
BRANZ APPRAISAL #796	

Ultraclad® vertical weatherboards fixed with Locator Clips fixed at Max 600 mm vertical centres with 8g x 2" CSK Sq S/S self tapping screws through batten into dwang / nog

Note: Underlay strips to isolate aluminium from treated timber battens Refer V00

Cavity batten Refer V00 Batten Options

Ultraclad® UA 4863 Vertical Starter Strip fixed to bottom plate at 300 mm centres with 8g x 2" CSK Sq S/S self tapping screws

Ultraclad® Cavity Vent Strip Alternatively use PVC type

Ultraclad® UA 4863 Board Starter B with 5 mm diameter drainage holes drilled through base of starter at 300 mm centres

Note: 100 mm minimum to permanent paving or 175 mm to unpaved ground to clause 9.1.3 of E2/AS1

Concrete slab or Blockwork

Finished ground level

Building underlay

Interior lining

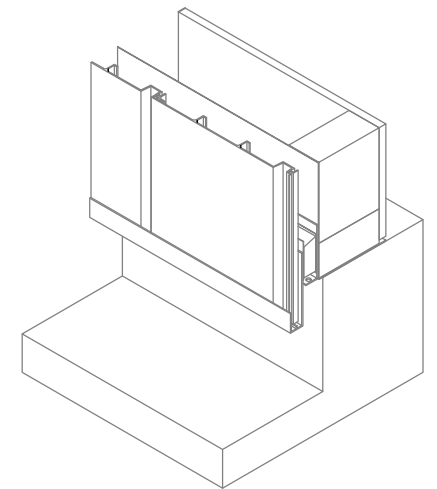
Bottom plate over DPC

Note: Ensure to alternate spacings of fixings for battens and Locator Clips to avoid risk of splitting batten

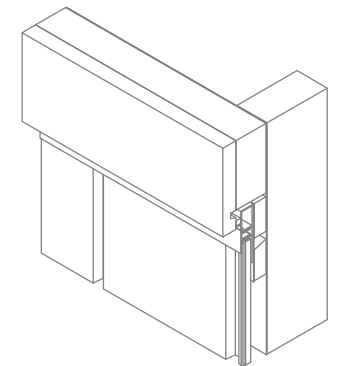
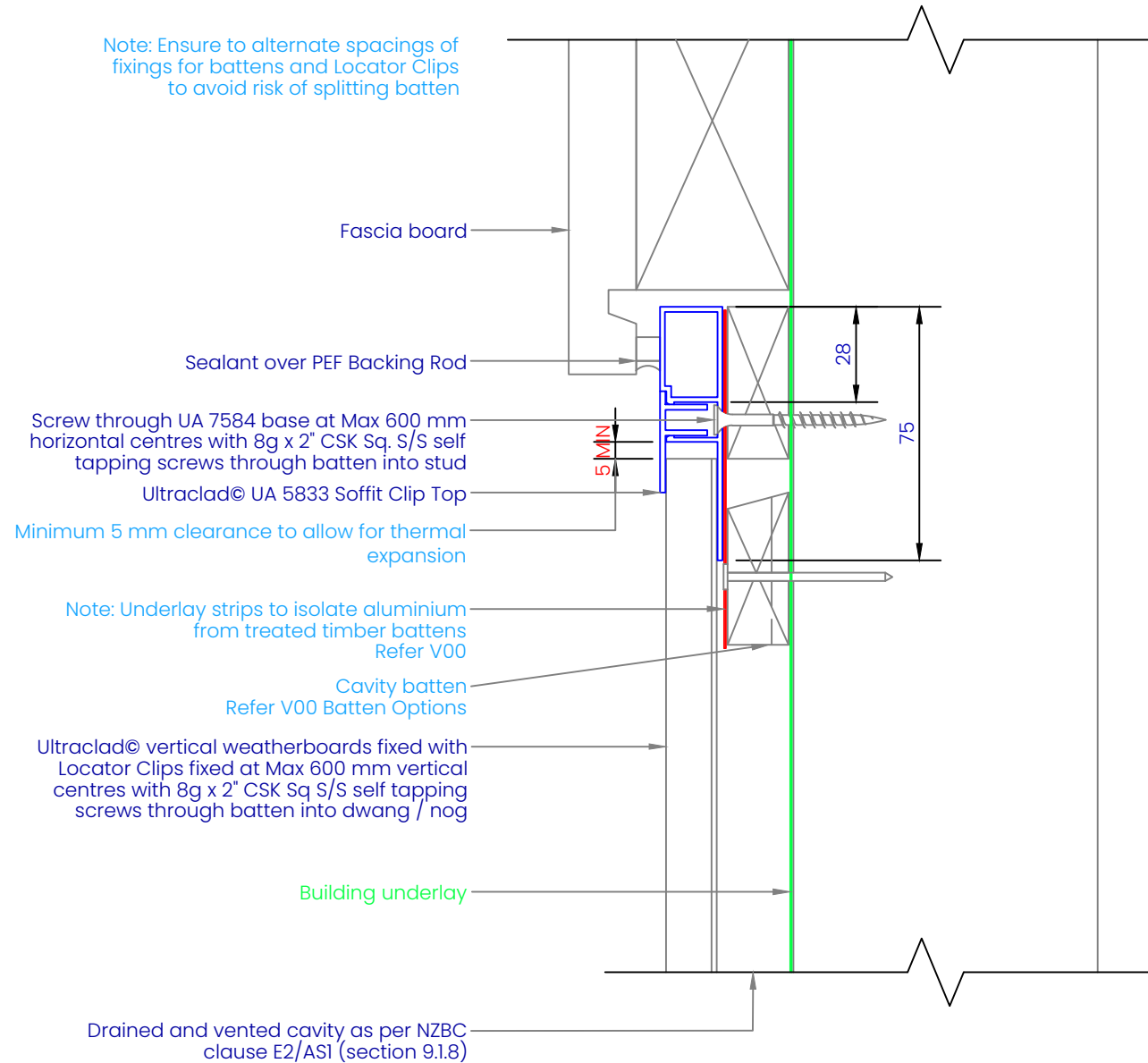
6 mm overhang (optional)

50

100



Note: Ensure to alternate spacings of fixings for battens and Locator Clips to avoid risk of splitting batten



**ULTRACLAD**  
Ultra-high performance cladding systems

PO Box 58009  
Botany  
Auckland 2163

Tel: 0800 500 338  
Email: buildingsystems@vulcan.co  
Web: buildingsystems.vulcan.co

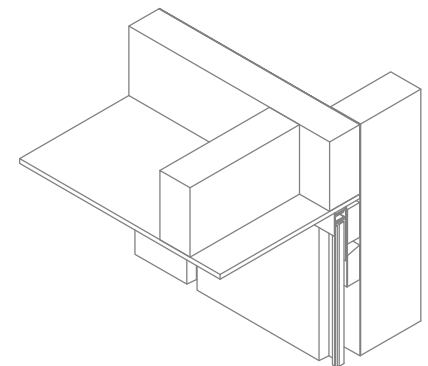
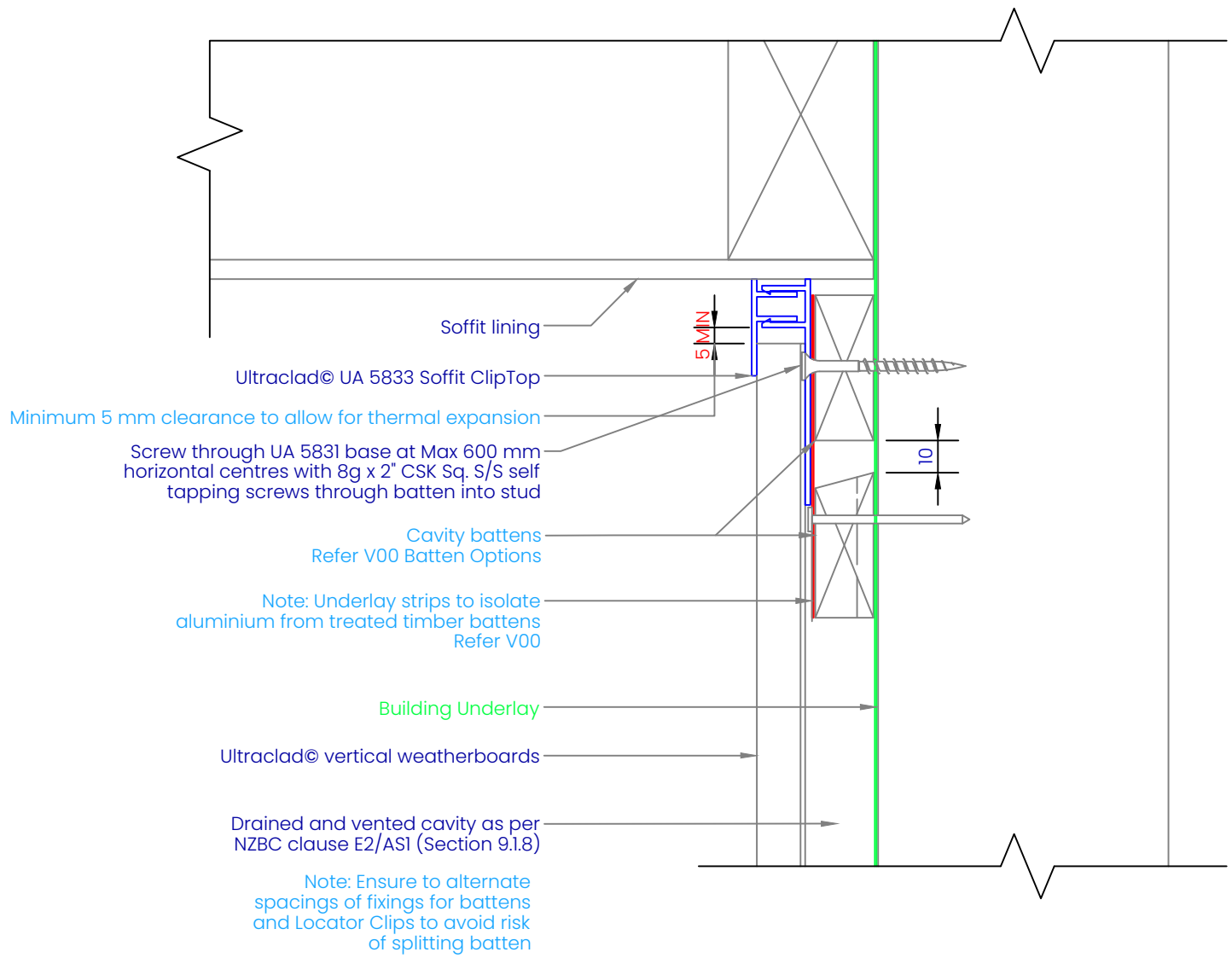
**VULCAN.**  
© 2023 Vulcan. All rights reserved.

V05

## NO SOFFIT DETAIL ON CAVITY

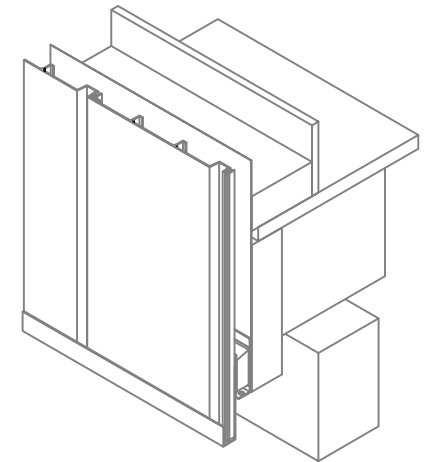
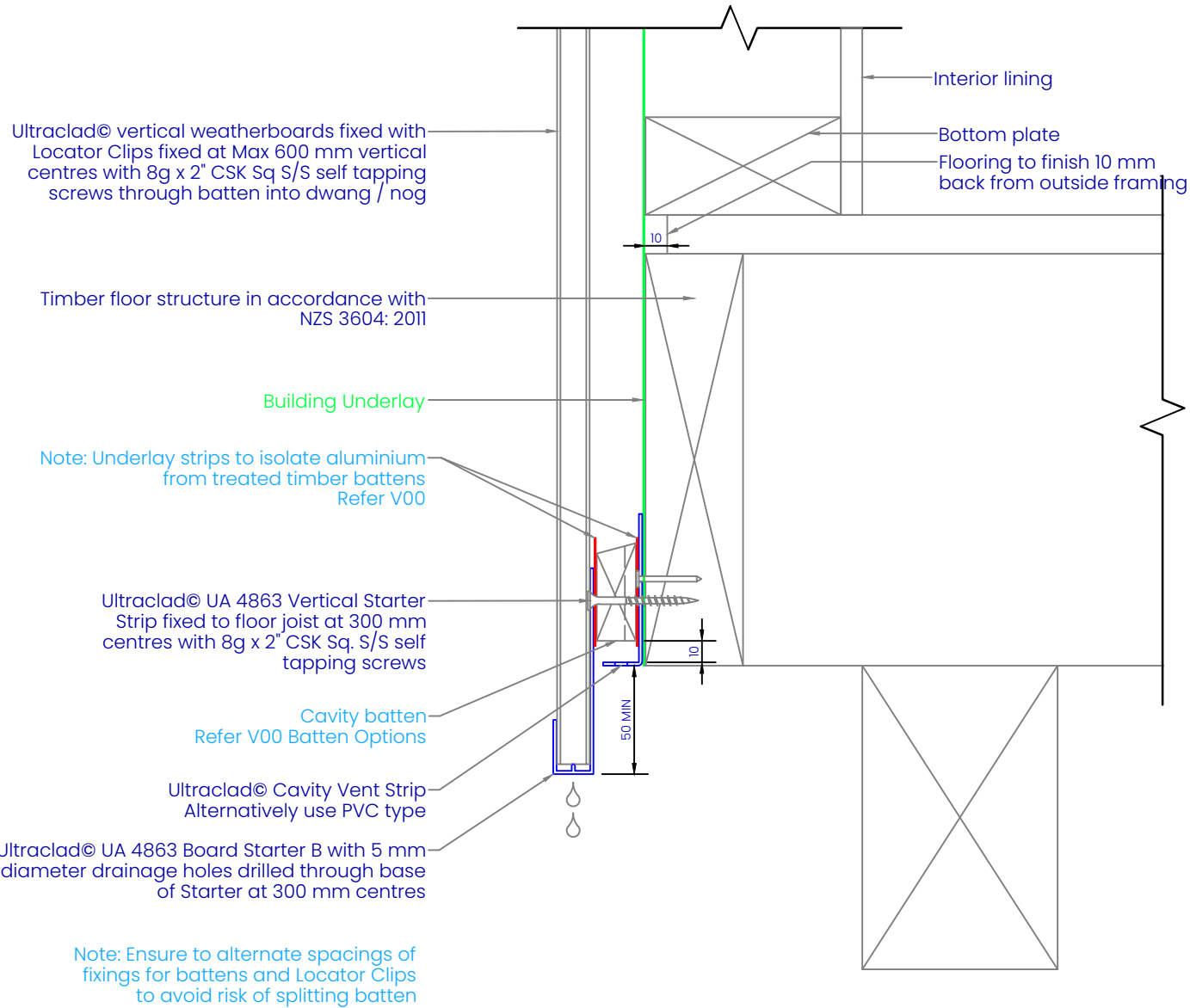
Building Systems: Vertical Weatherboard Cavity System

REVISION:	11
SCALE:	1 : 2 (@A4)
DATE:	2024
BRANZ APPRAISAL #796	

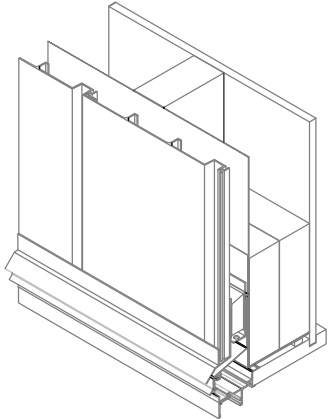
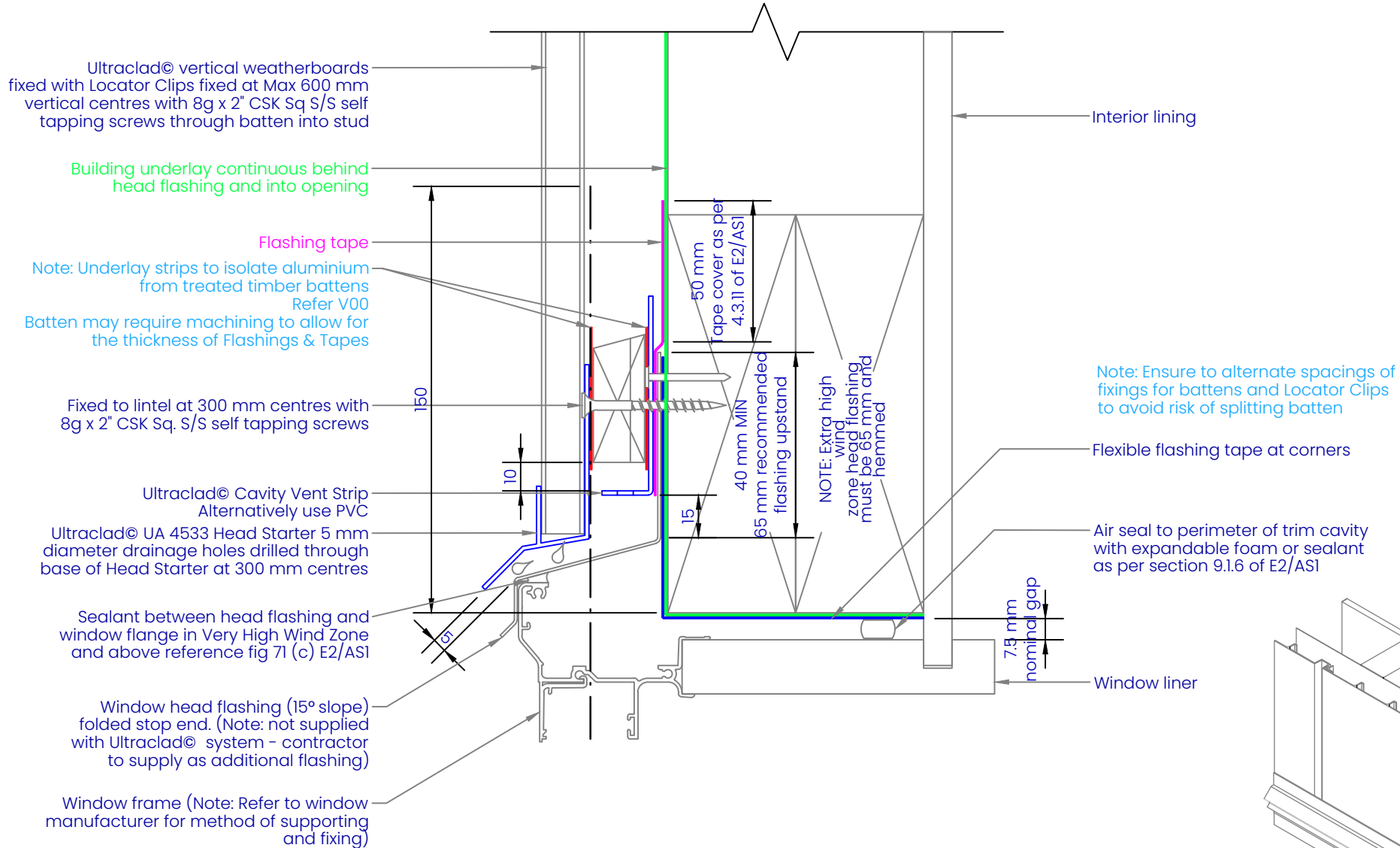


REVISION:	11
SCALE:	1 : 2 (@A4)
DATE:	2024
BRANZ APPRAISAL #796	





REVISION:	11
SCALE:	1 : 3 (@A4)
DATE:	2024
BRANZ APPRAISAL #796	



**ULTRACLAD**

Ultra-high performance cladding systems

PO Box 58009  
Botany  
Auckland 2163

Tel: 0800 500 338  
Email: buildingsystems@vulcan.co  
Web: buildingsystems.vulcan.co

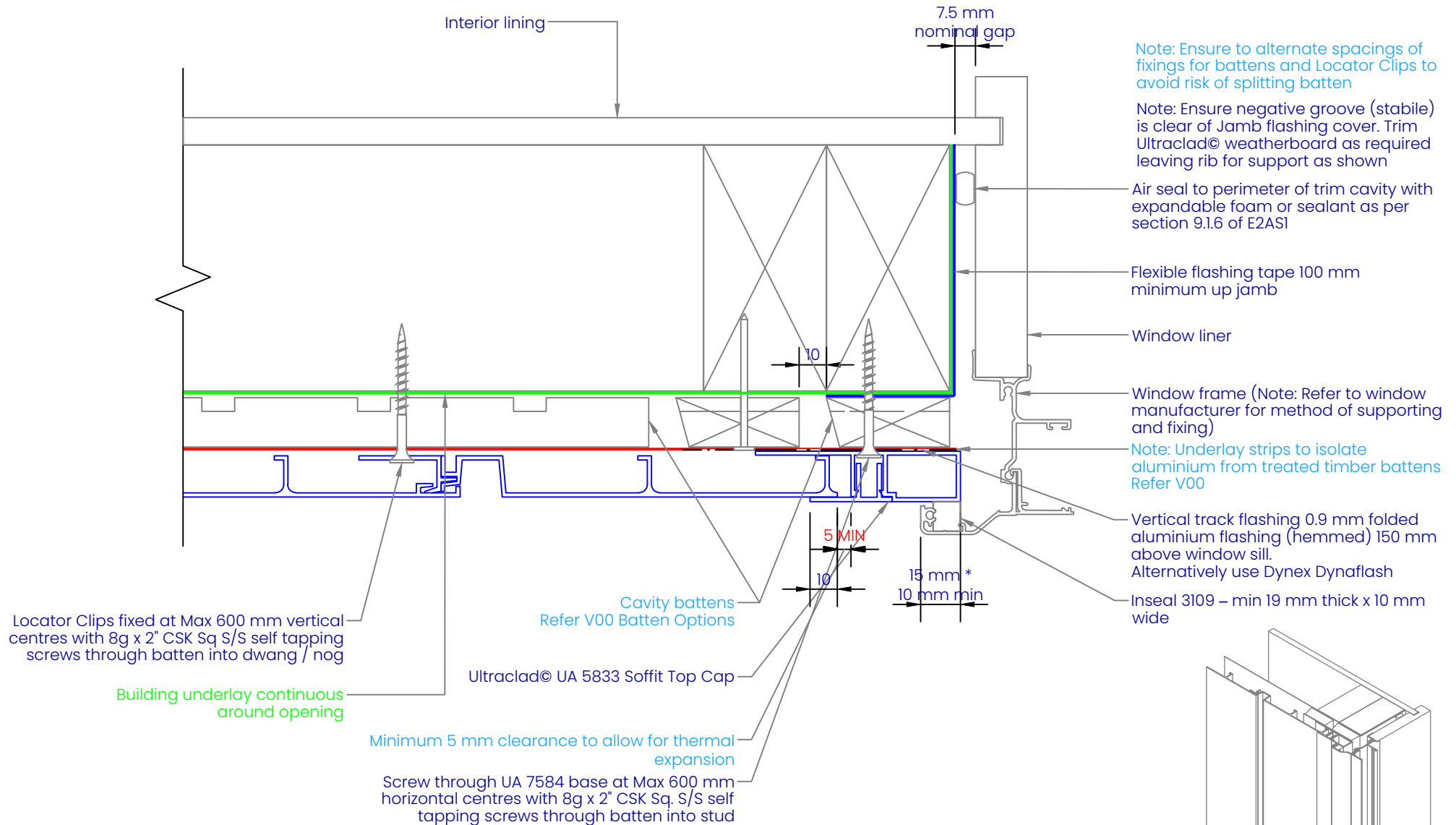
**VULCAN.**  
© 2023 Vulcan. All rights reserved.

V08

## WINDOW HEAD ON CAVITY

Building Systems: Vertical Weatherboard Cavity System

REVISION:	11
SCALE:	1 : 2 (@A4)
DATE:	2024
BRANZ APPRAISAL #796	



Note: Ensure to alternate spacings of fixings for battens and Locator Clips to avoid risk of splitting batten

Note: Ensure negative groove (stable) is clear of Jamb flashing cover. Trim Ultraclad® weatherboard as required leaving rib for support as shown

Air seal to perimeter of trim cavity with expandable foam or sealant as per section 9.1.6 of E2AS1

Flexible flashing tape 100 mm minimum up jamb

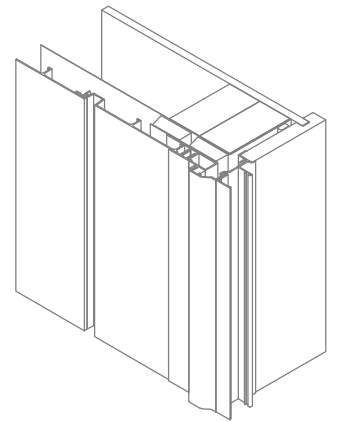
Window liner

Window frame (Note: Refer to window manufacturer for method of supporting and fixing)

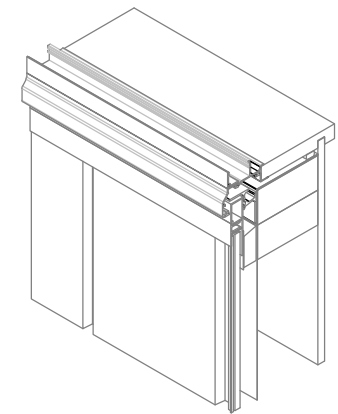
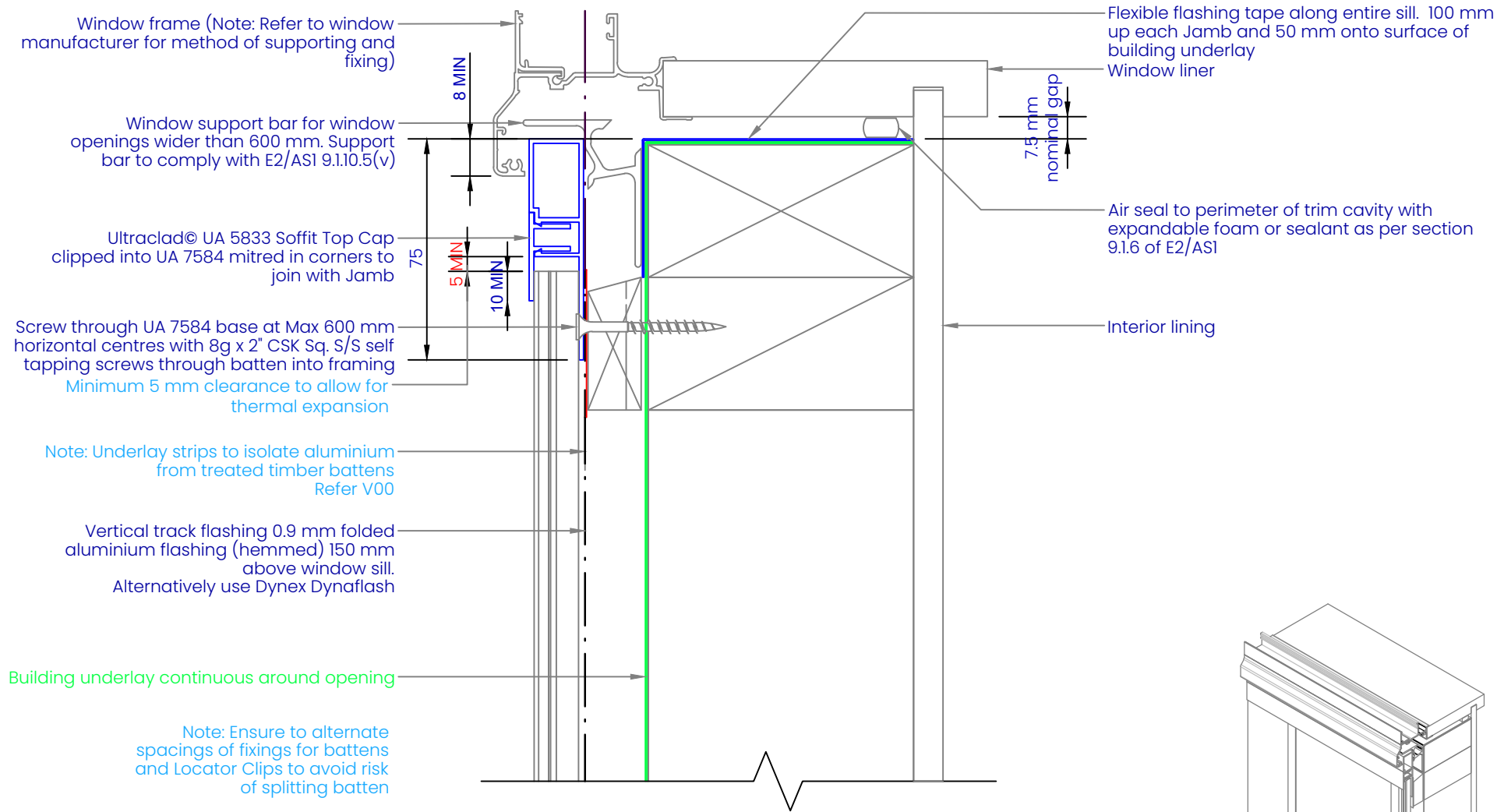
Note: Underlay strips to isolate aluminium from treated timber battens Refer V00

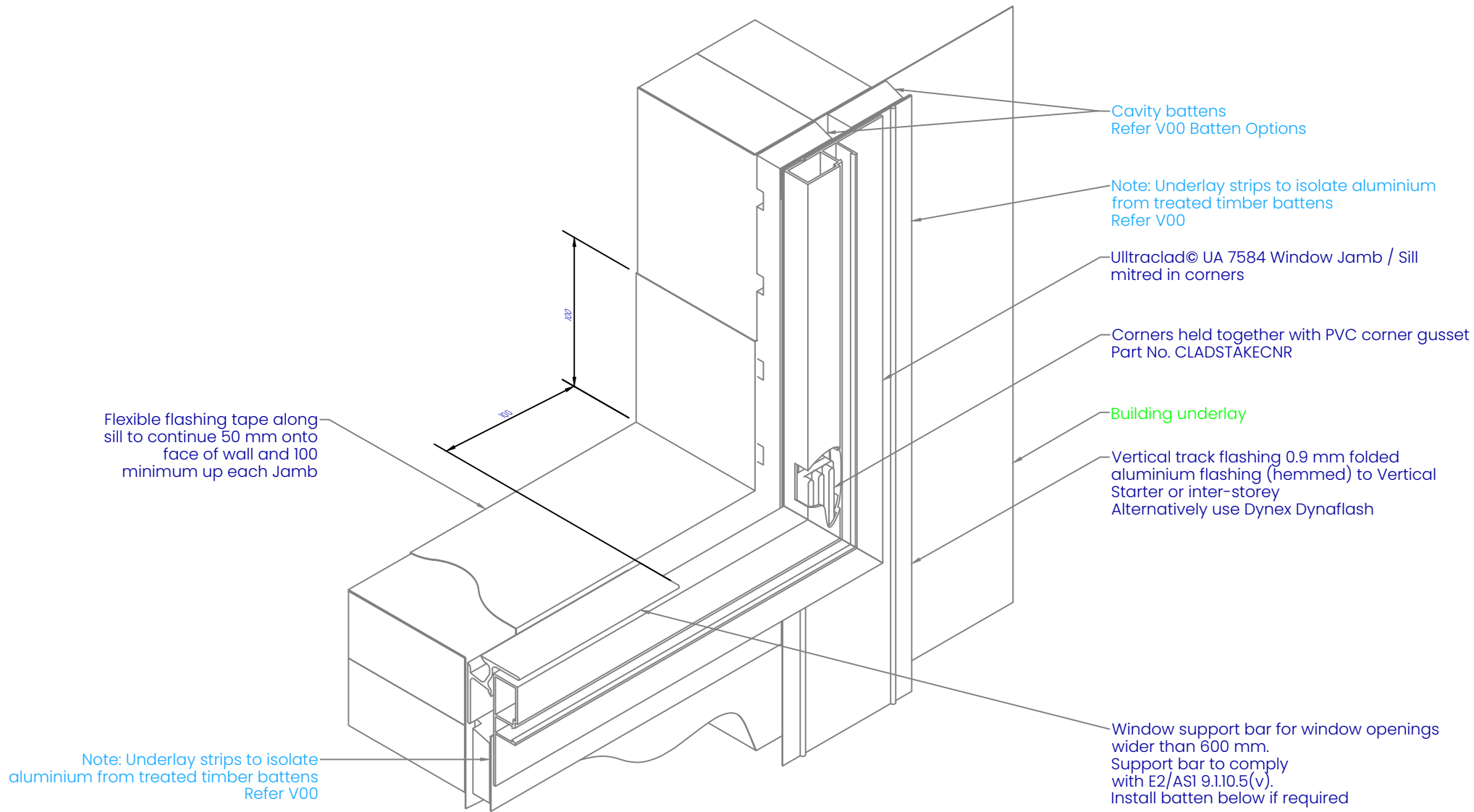
Vertical track flashing 0.9 mm folded aluminium flashing (hemmed) 150 mm above window sill. Alternatively use Dynex Dynaflash

Inseal 3109 – min 19 mm thick x 10 mm wide



REVISION:	11
SCALE:	1 : 2 (@A4)
DATE:	2024
BRANZ APPRAISAL #796	





**ULTRACLAD**

Ultra-high performance cladding systems

PO Box 58009  
Botany  
Auckland 2163

Tel: 0800 500 338  
Email: buildingsystems@vulcan.co  
Web: buildingsystems.vulcan.co

**VULCAN.**  
© 2023 Vulcan. All rights reserved.

V11

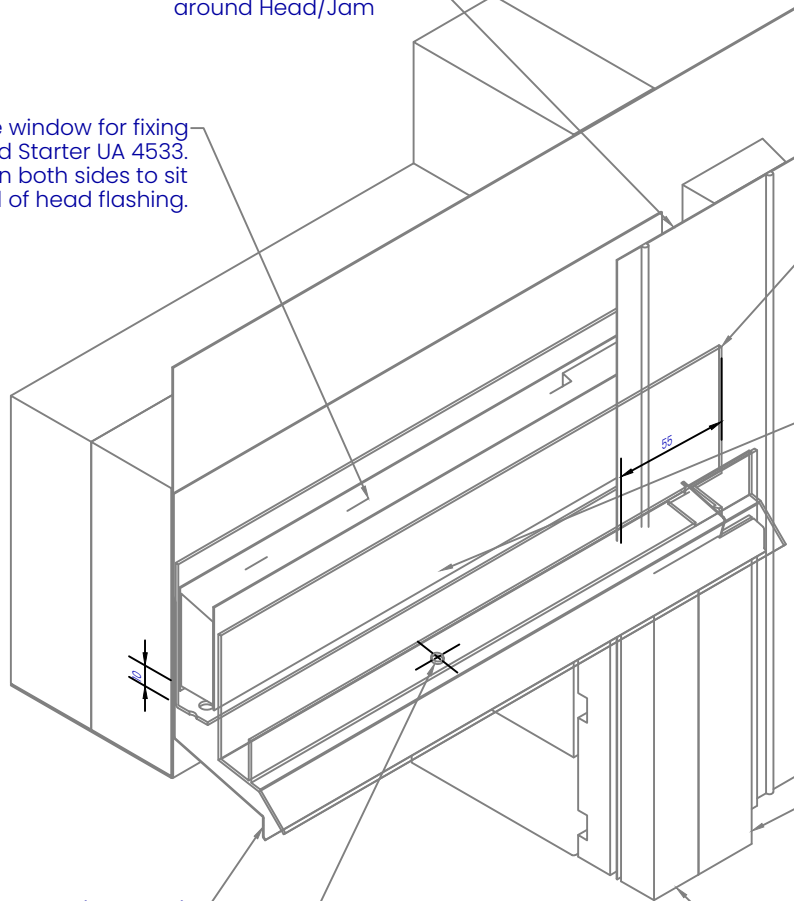
## SILL-JAMB ON CAVITY

Building Systems: Vertical Weatherboard Cavity System

REVISION:	11
SCALE:	1 : 3 (@A4)
DATE:	2024
BRANZ APPRAISAL #796	

Vertical track flashing 0.9 mm folded aluminium flashing (hemmed) to 150 mm above window head. Alternatively use Dynex Dynaflash - Trimmed to fit around Head/Jam

Battens above window for fixing window head Starter UA 4533. Outer batten both sides to sit inside stop end of head flashing.



Ultraclad® UA 4533 Head Starter

Ultraclad® Cavity Vent Strip  
Alternatively use PVC

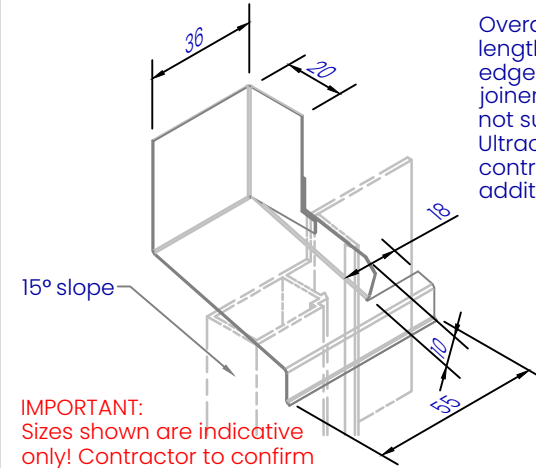
Ultraclad® UA 5833 Soffit Clip Top

Ultraclad® UA 7584 Jamb Flashing

Window Head Flashing (15° slope) folded stop end. (Note: not supplied with Ultraclad® system - contractor to supply as additional flashing)

Ultraclad® UA 4533 Head Starter 5 mm diameter drainage holes drilled through base of Head Starter at 300 mm centres

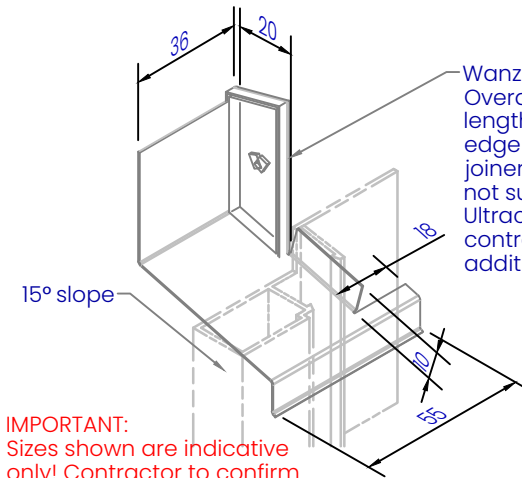
### Window Head Flashing Option 1 Cut & Fold Stop End (1 : 2)



Overall Head Flashing length = +40 mm past edge of window and door joinery on each side. (Note: not supplied with Ultraclad® system - contractor to supply as additional flashing)

**IMPORTANT:**  
Sizes shown are indicative only! Contractor to confirm onsite as joinery suites may vary

### Window Head Flashing Option 1 Wanz Plastic Stop End Cap (1 : 2)



Wanz Plastic Stop End  
Overall Head Flashing length = +40 mm past edge of window and door joinery on each side. (Note: not supplied with Ultraclad® system - contractor to supply as additional flashing)

**IMPORTANT:**  
Sizes shown are indicative only! Contractor to confirm onsite as joinery suites may vary

**ULTRACLAD**

Ultra-high performance cladding systems

PO Box 58009  
Botany  
Auckland 2163

Tel: 0800 500 338  
Email: buildingsystems@vulcan.co  
Web: buildingsystems.vulcan.co

**VULCAN.**  
© 2023 Vulcan. All rights reserved.

V12

## HEAD FLASHING/ HEAD STARTER /JAMB ISO

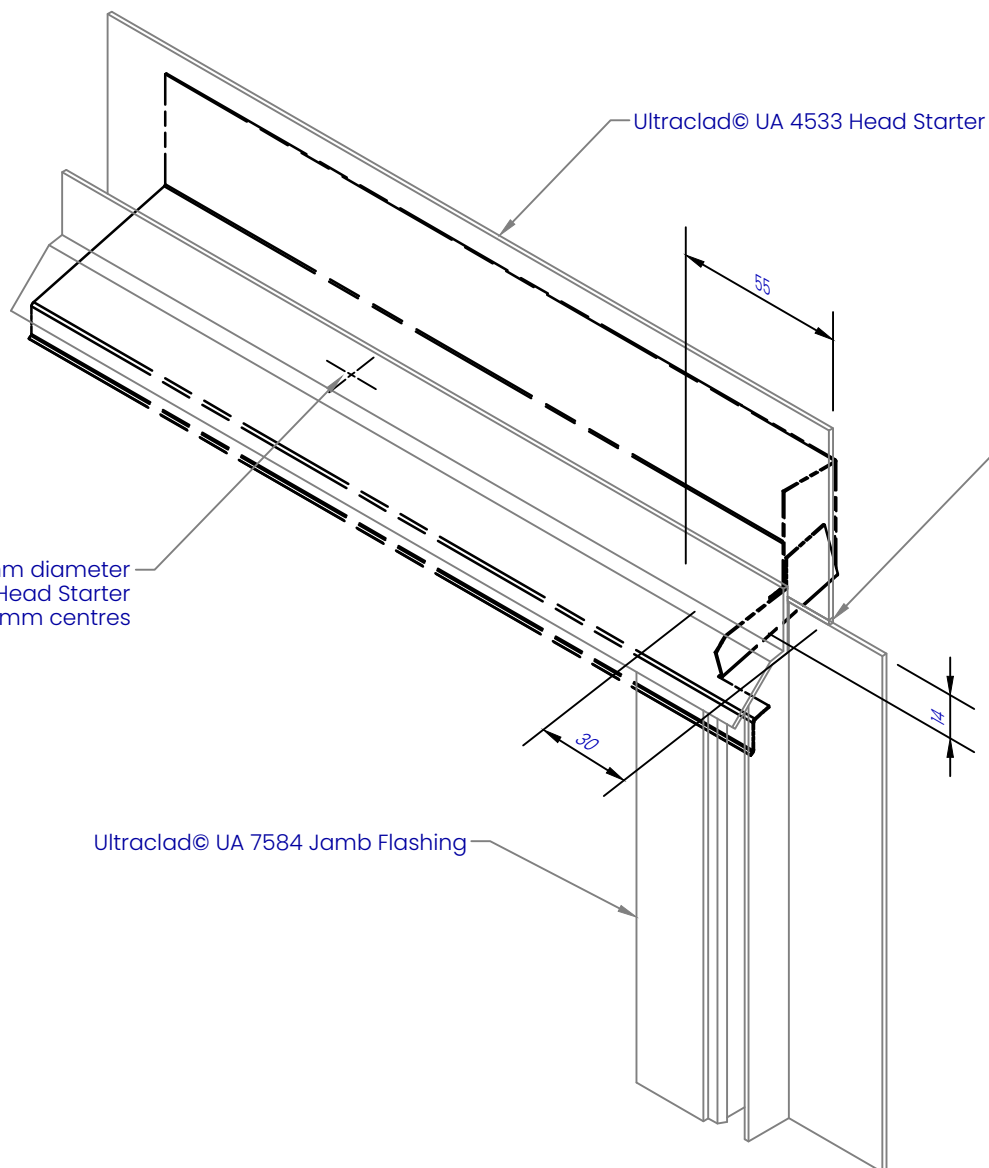
Building Systems: Vertical Weatherboard Cavity System

REVISION: 11

SCALE: 1 : 3 (@A4)

DATE: 2024

BRANZ APPRAISAL #796



**IMPORTANT:**  
 Sizes shown are indicative only!  
 Contractor to confirm onsite as  
 joinery suites may vary.

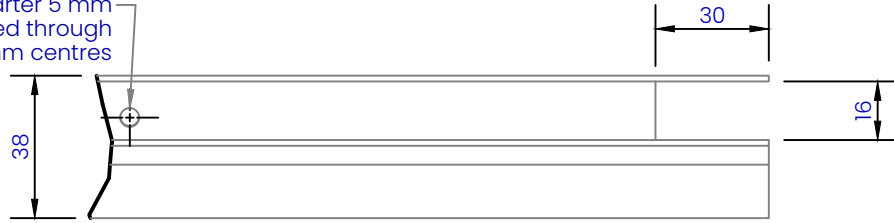
Applying sealant before fitting UA 4533  
 sealant at facade

Note: Ultraclad® UA 4533 Head Starter to extend  
 40 mm past edge of window or door joinery.  
 Building underlay, flashing tape and UA 5833  
 omitted for clarity

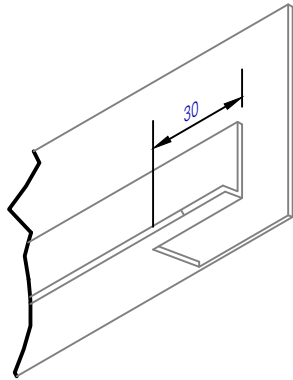
Ultraclad® UA 4533 Head Starter 5 mm diameter  
 drainage holes drilled through base of Head Starter  
 at 300 mm centres

REVISION:	11
SCALE:	1 : 2 (@A4)
DATE:	2024
BRANZ APPRAISAL #796	

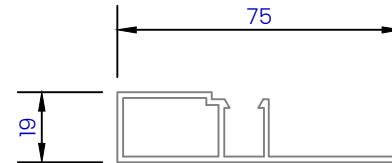
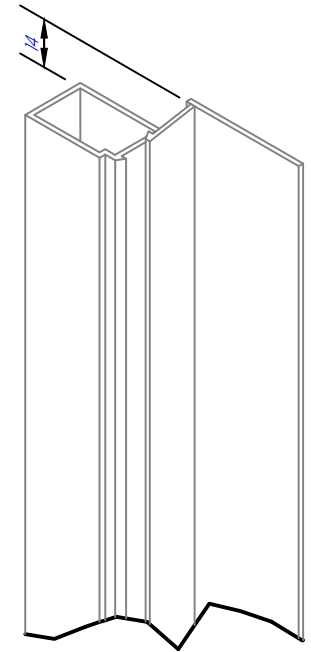
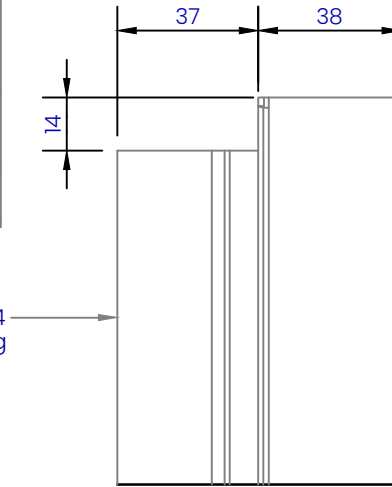
Ultraclad® UA 4533 Head Starter 5 mm diameter drainage holes drilled through base of Head Starter at 300 mm centres



**IMPORTANT:**  
 Sizes shown are indicative only!  
 Contractor to confirm onsite as  
 joinery suites may vary.



Ultraclad® UA 7584  
 Jamb Flashing



**ULTRACLAD**

Ultra-high performance cladding systems

PO Box 58009  
 Botany  
 Auckland 2163

Tel: 0800 500 338  
 Email: buildingsystems@vulcan.co  
 Web: buildingsystems.vulcan.co

**VULCAN.**  
 © 2023 Vulcan. All rights reserved.

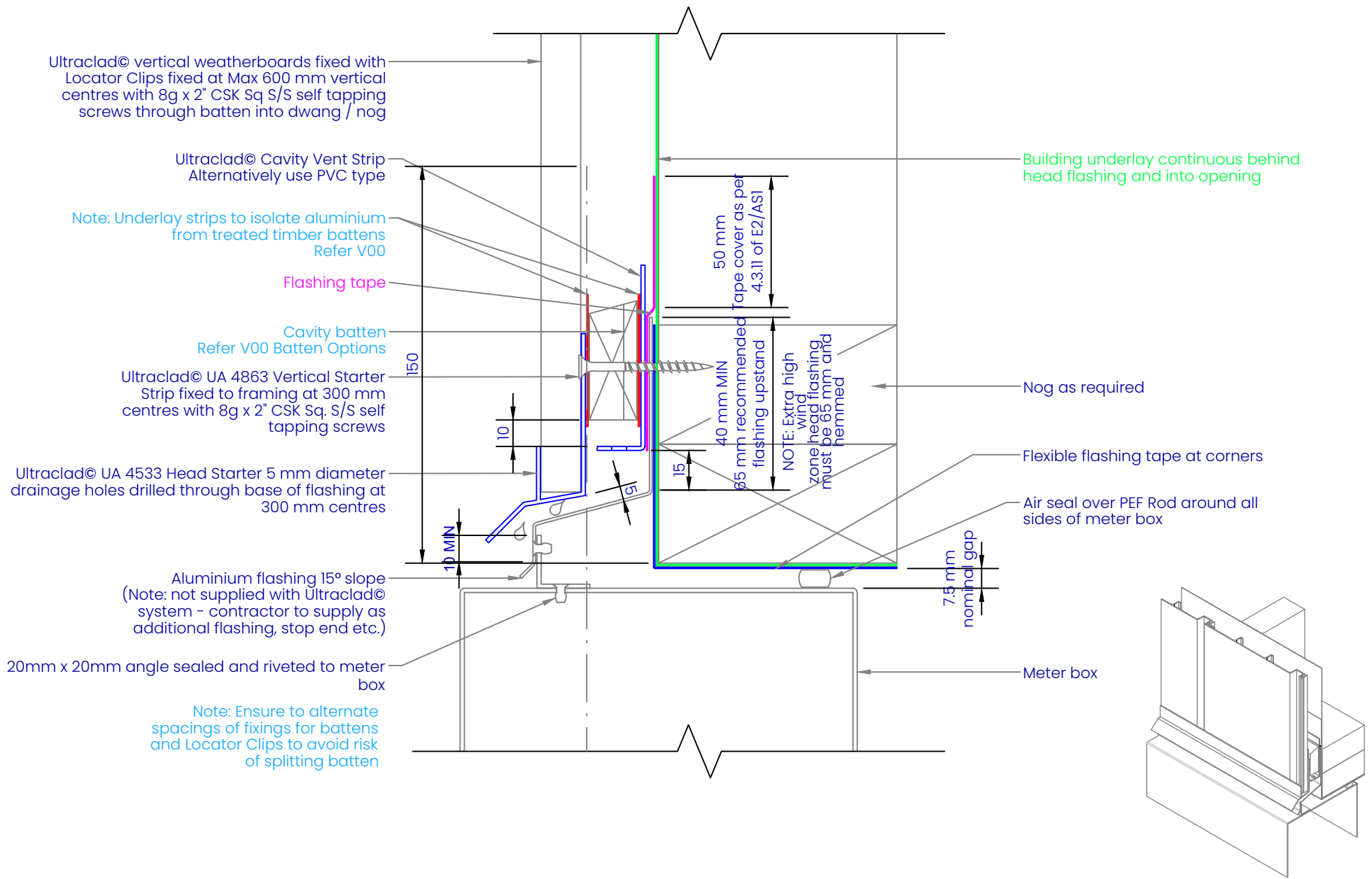
V14

# HEAD - JAMB NOTCHING DETAILS

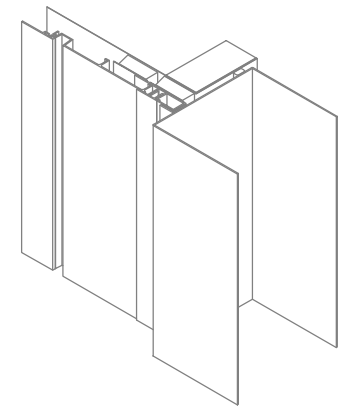
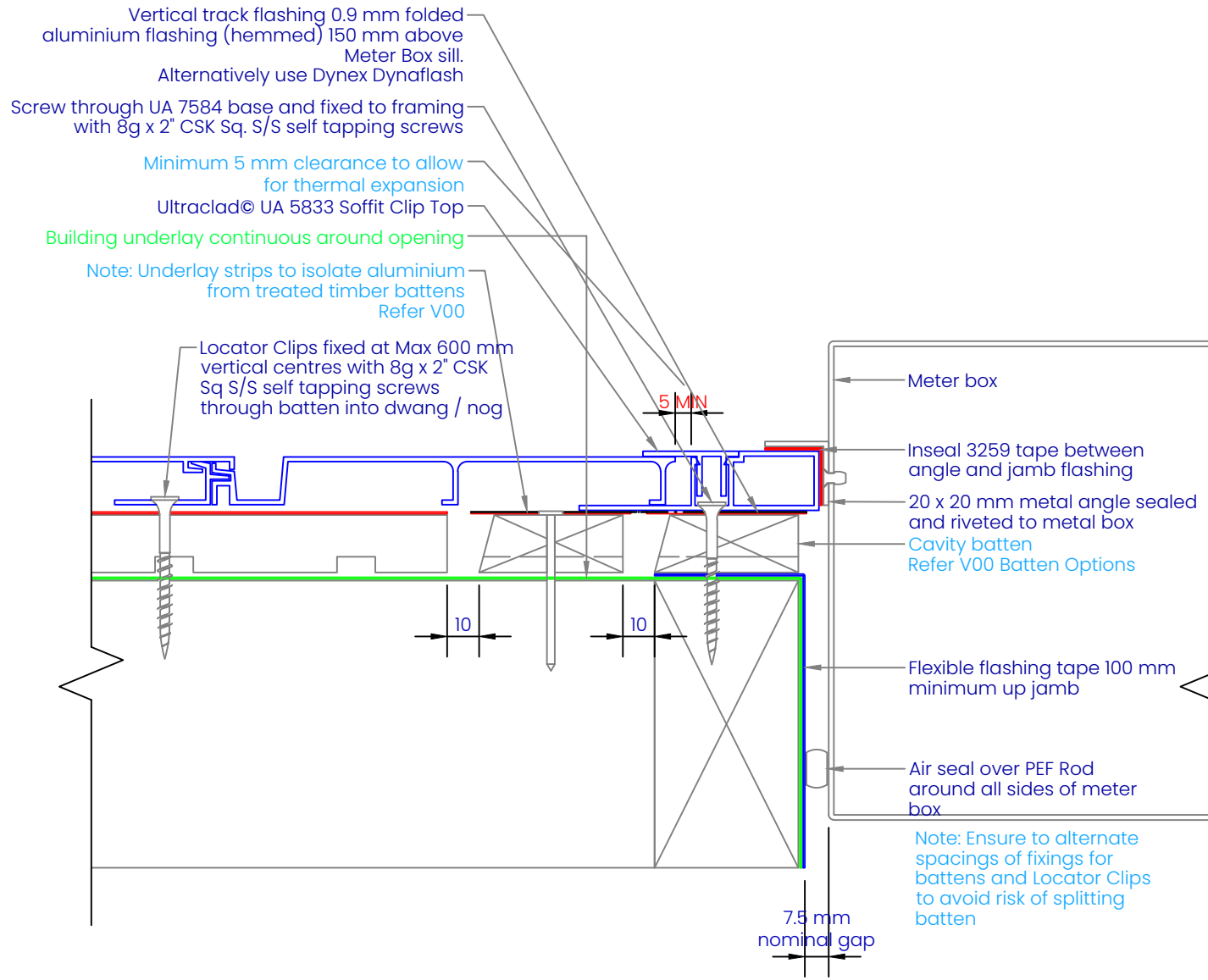
Building Systems: Vertical Weatherboard Cavity System

REVISION:	11
SCALE:	1 : 2 (@A4)
DATE:	2024
BRANZ APPRAISAL #796	

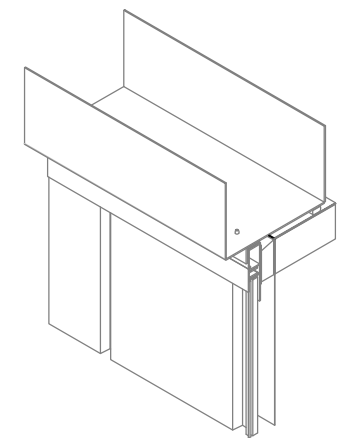
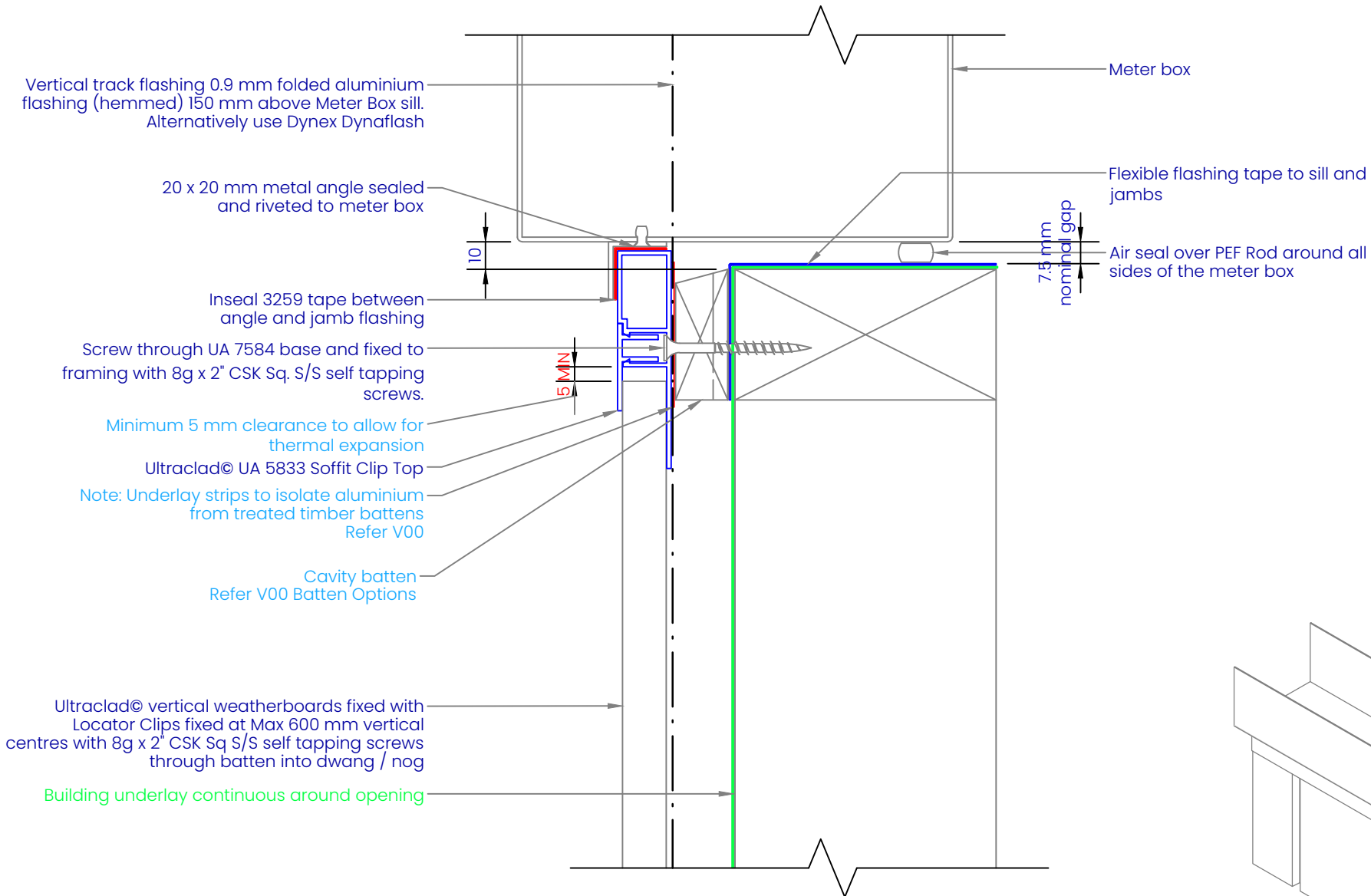




REVISION:	11
SCALE:	1 : 2 (@A4)
DATE:	2024
BRANZ APPRAISAL #796	



REVISION:	11
SCALE:	1 : 2 (@A4)
DATE:	2024
BRANZ APPRAISAL #796	



**ULTRACLAD**  
Ultra-high performance cladding systems

PO Box 58009  
Botany  
Auckland 2163

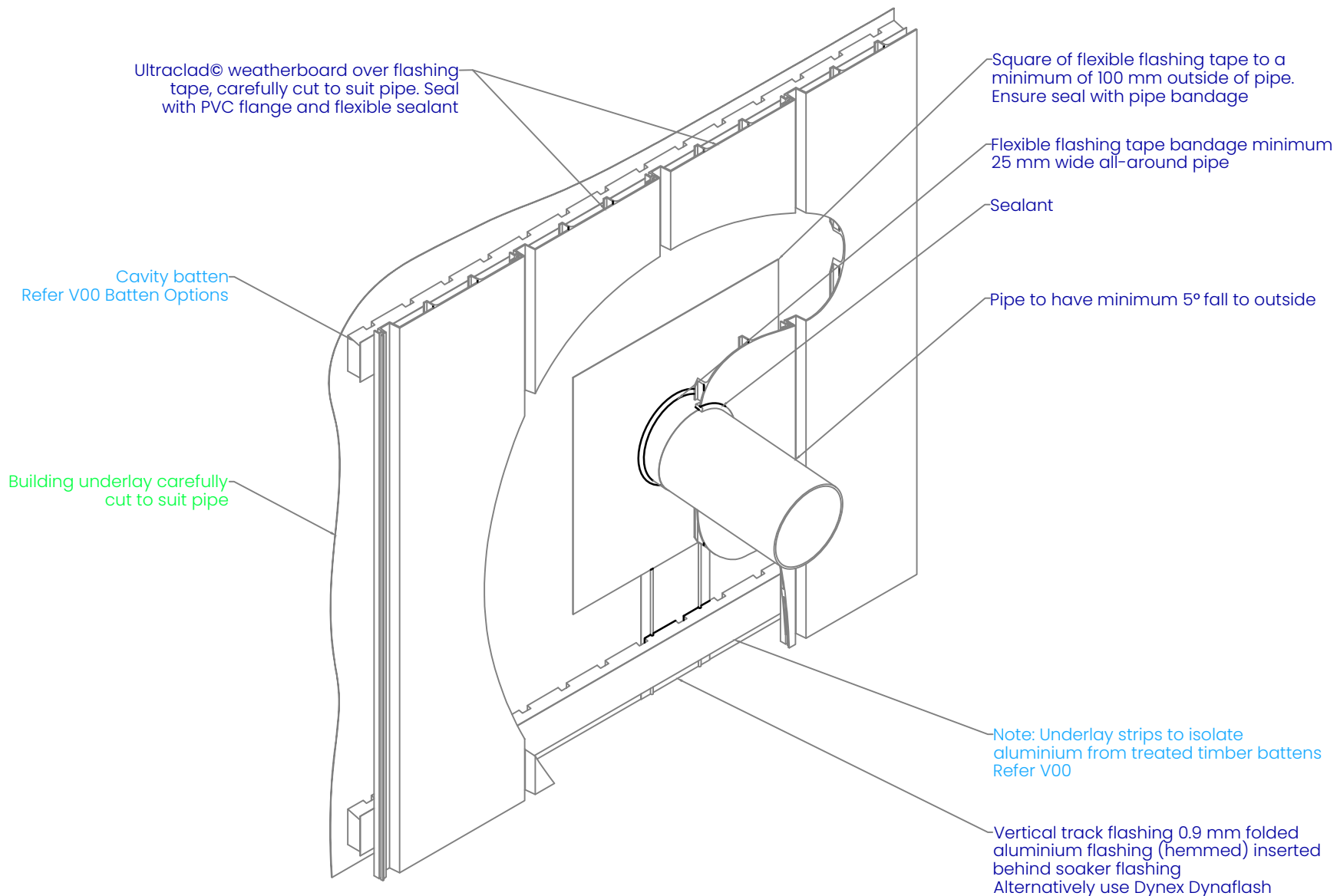
Tel: 0800 500 338  
Email: buildingsystems@vulcan.co  
Web: buildingsystems.vulcan.co

**VULCAN.**  
© 2023 Vulcan. All rights reserved.

V17  
**METER BOX SILL ON CAVITY**

Building Systems: Vertical Weatherboard Cavity System

REVISION:	11
SCALE:	1 : 2 (@A4)
DATE:	2024
BRANZ APPRAISAL #796	



**ULTRACLAD**

Ultra-high performance cladding systems

PO Box 58009  
Botany  
Auckland 2163

Tel: 0800 500 338  
Email: buildingsystems@vulcan.co  
Web: buildingsystems.vulcan.co

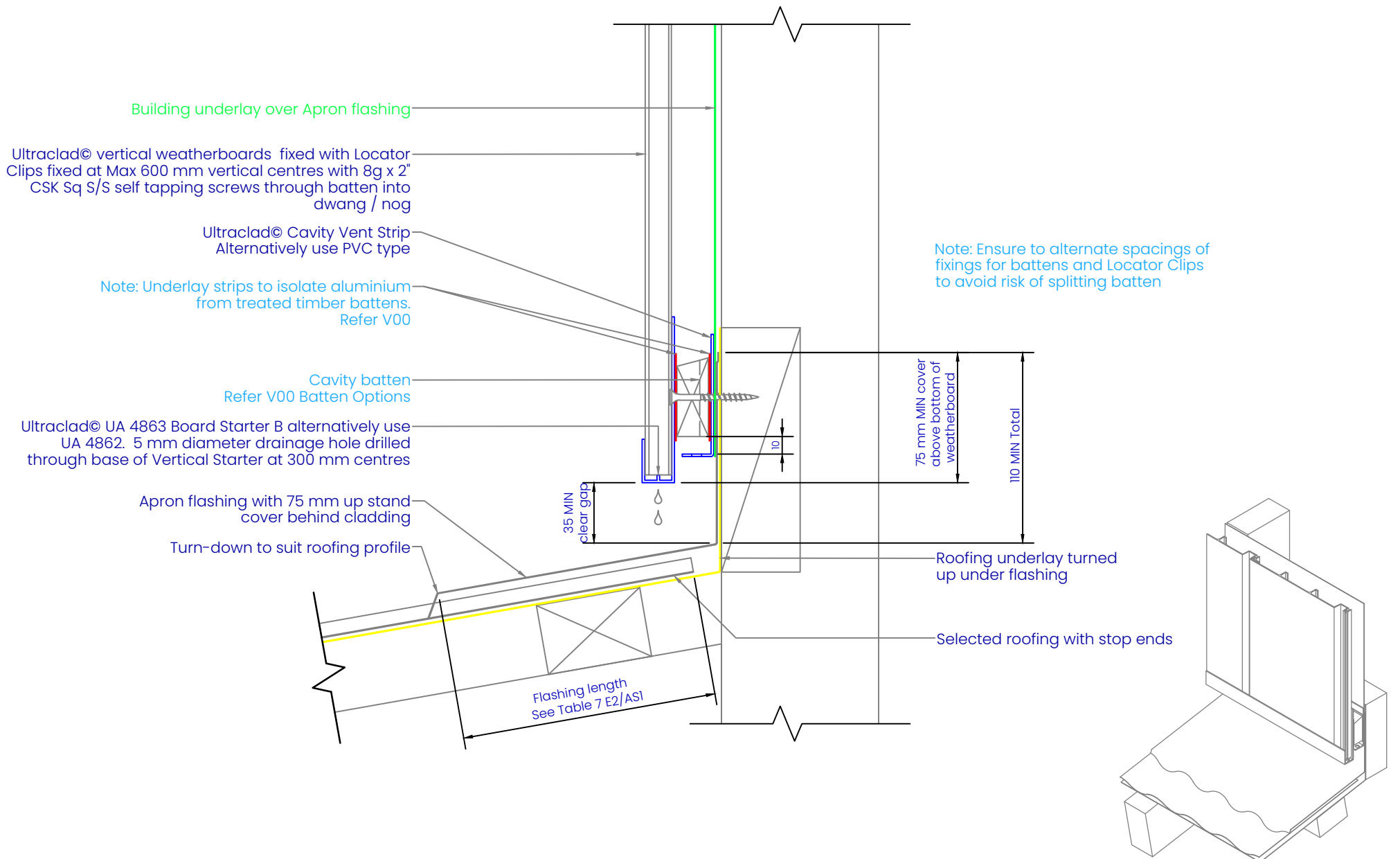
**VULCAN.**  
© 2023 Vulcan. All rights reserved.

V18

## PIPE PENETRATION ON CAVITY

Building Systems: Vertical Weatherboard Cavity System

REVISION:	11
SCALE:	1:6 (@A4)
DATE:	2024
BRANZ APPRAISAL #796	



Building underlay over Apron flashing

Ultraclad® vertical weatherboards fixed with Locator Clips fixed at Max 600 mm vertical centres with 8g x 2" CSK Sq S/S self tapping screws through batten into dwang / nog

Ultraclad® Cavity Vent Strip Alternatively use PVC type

Note: Underlay strips to isolate aluminium from treated timber battens. Refer V00

Cavity batten Refer V00 Batten Options

Ultraclad® UA 4863 Board Starter B alternatively use UA 4862. 5 mm diameter drainage hole drilled through base of Vertical Starter at 300 mm centres

Apron flashing with 75 mm up stand cover behind cladding

Turn-down to suit roofing profile

Note: Ensure to alternate spacings of fixings for battens and Locator Clips to avoid risk of splitting batten

75 mm MIN cover above bottom of weatherboard  
110 mm MIN Total

35 mm MIN clear gap

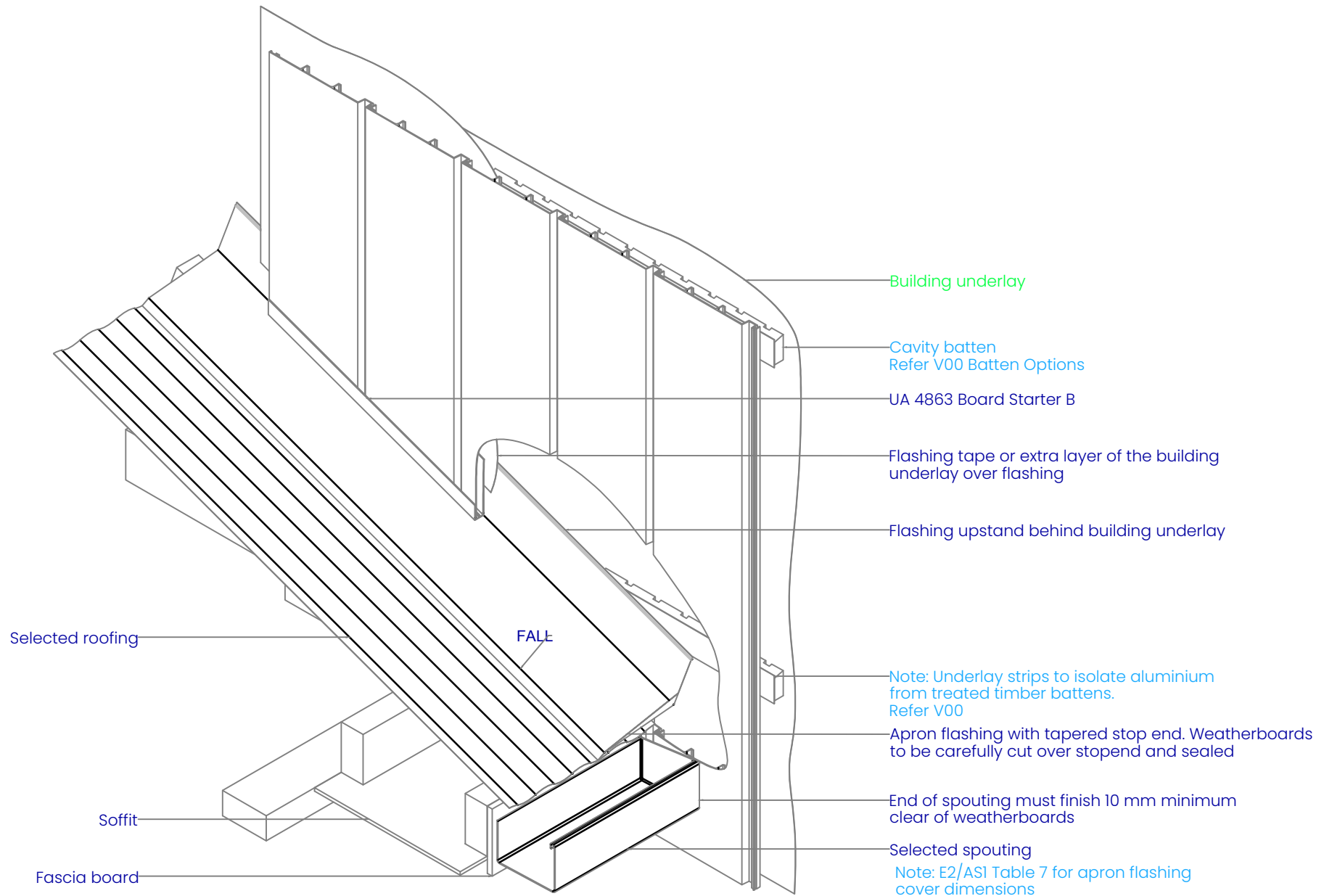
10

Roofing underlay turned up under flashing

Selected roofing with stop ends

Flashing length See Table 7 E2/AS1

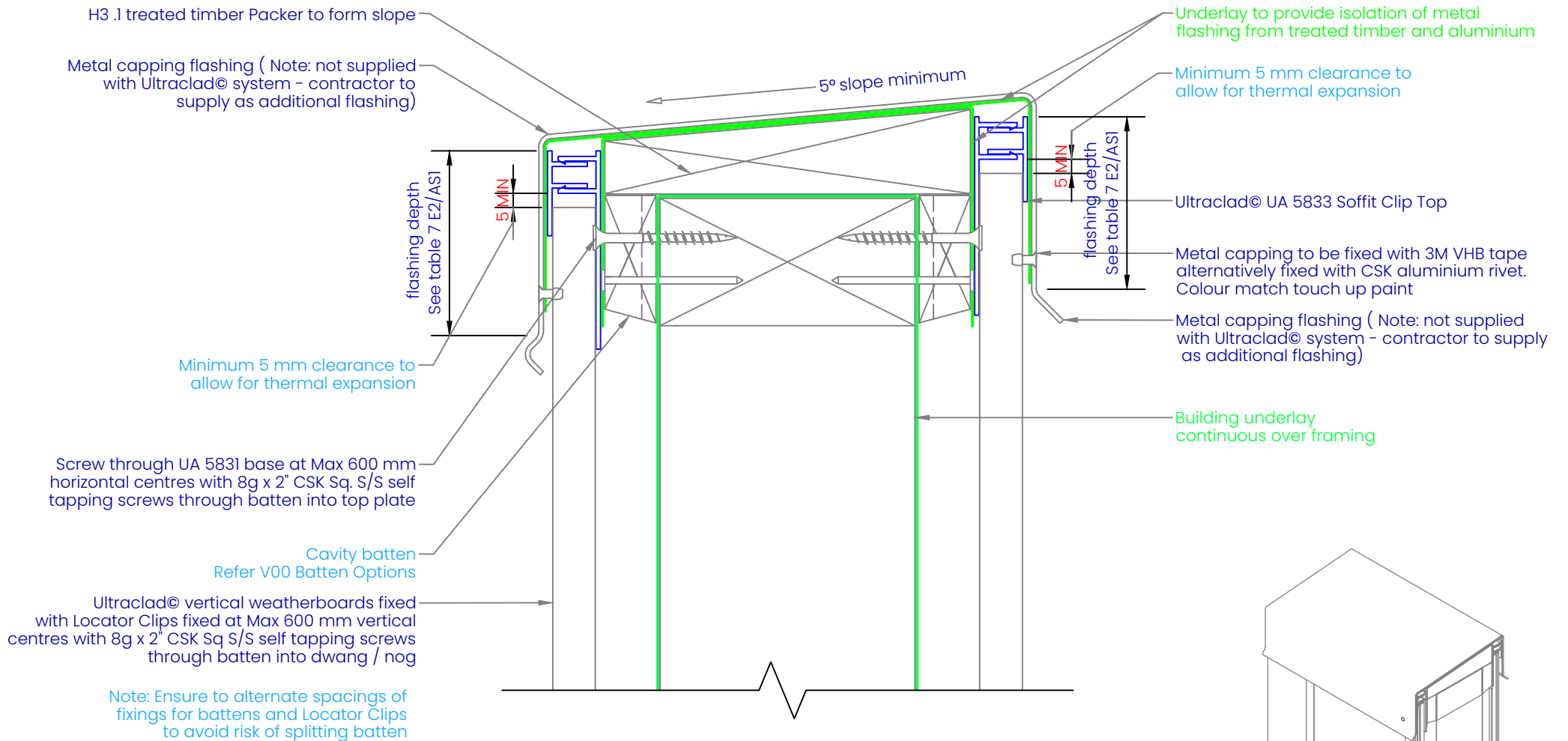
REVISION:	11
SCALE:	1 : 3 (@A4)
DATE:	2024
BRANZ APPRAISAL #796	

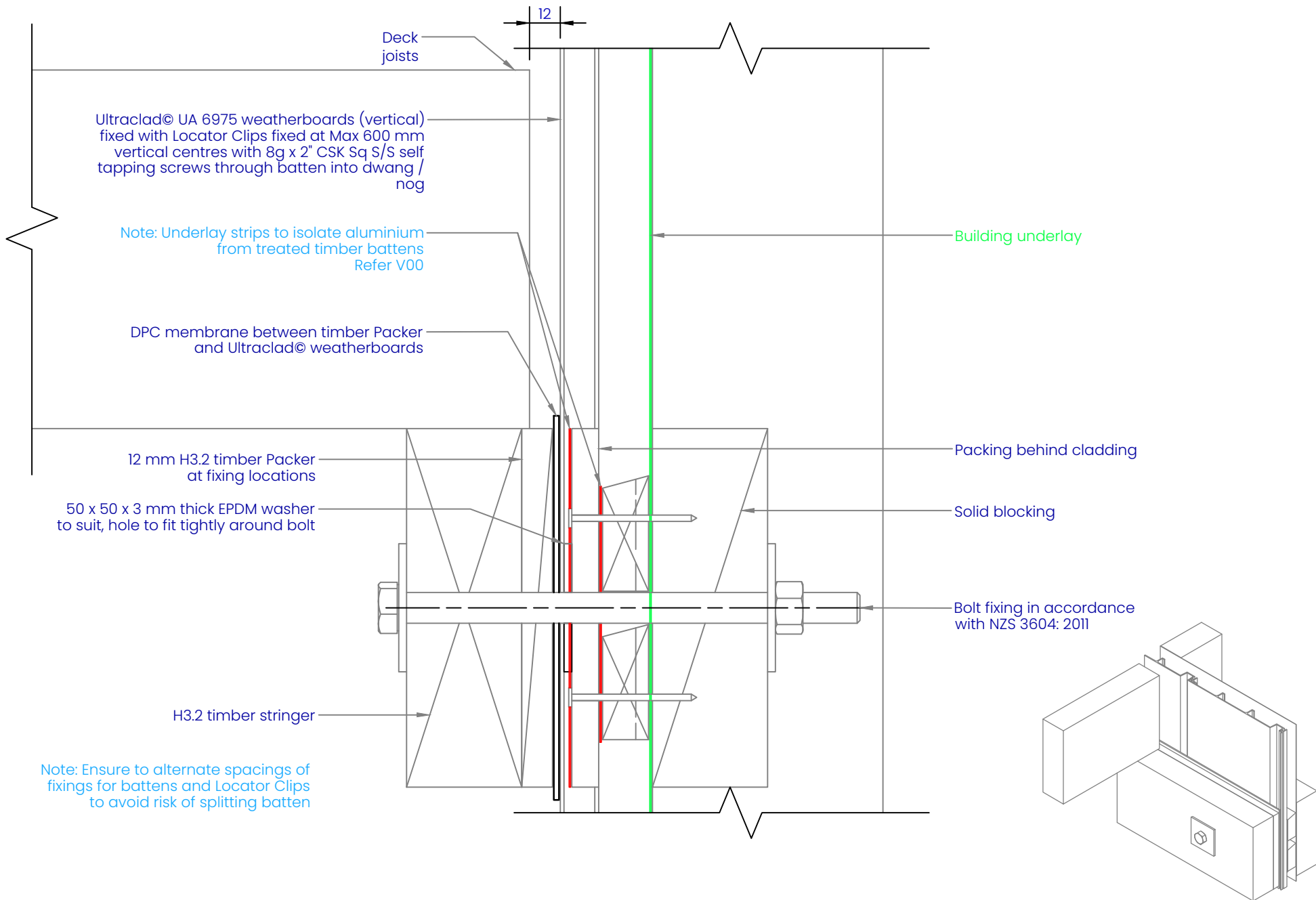


V20  
**GUTTER WALL JUNCTION ON CAVITY**

Building Systems: Vertical Weatherboard Cavity System

REVISION:	11
SCALE:	1 : 8 (@A4)
DATE:	2024
BRANZ APPRAISAL #796	





**ULTRACLAD**

Ultra-high performance cladding systems

PO Box 58009  
Botany  
Auckland 2163

Tel: 0800 500 338  
Email: buildingsystems@vulcan.co  
Web: buildingsystems.vulcan.co

**VULCAN.**  
© 2023 Vulcan. All rights reserved.

V22

## DECK JUNCTION ON CAVITY

Building Systems: Vertical Weatherboard Cavity System

REVISION:	11
SCALE:	1 : 2 (@A4)
DATE:	2024
BRANZ APPRAISAL #796	



Note: Ensure to alternate spacings of fixings for battens and Locator Clips to avoid risk of splitting batten

Ultraclad® vertical weatherboards fixed with Locator Clips fixed at Max 600 mm vertical centres with 8g x 2" CSK Sq S/S self tapping screws through batten into dwang / nog

Building underlay

Cavity batten  
Refer V00 Batten Options

Flashing tape

Note: Underlay strips to isolate aluminium from treated timber battens  
Refer V00

Ultraclad® UA 4863 Vertical Starter Strip fixed to framing at 300 mm centres with 8g x 2" CSK Sq S/S self tapping screws

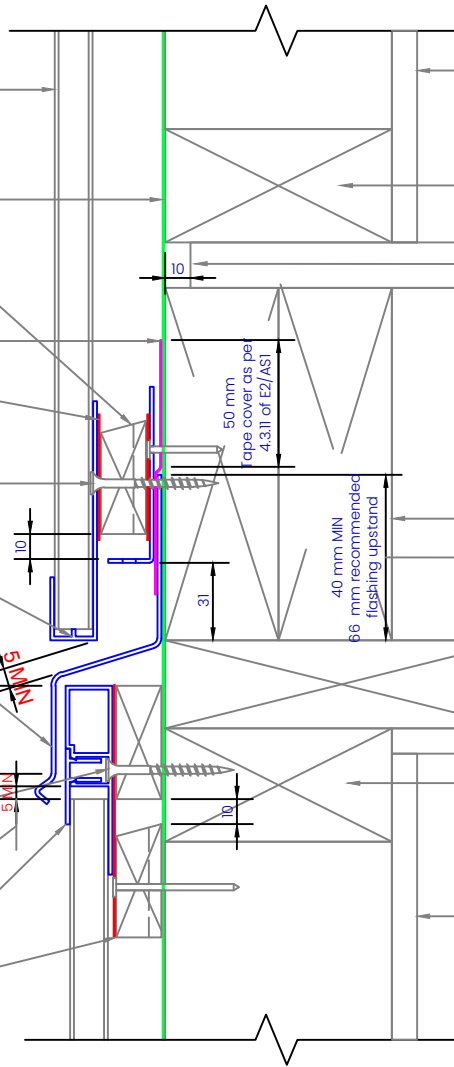
Ultraclad® UA 4863 Board Starter B with 5 mm diameter drainage holes drilled through base of Starter at 300 mm centres

Ultraclad® UA 7919 Inter-Storey Flashing

Screw through UA 7584 base at Max 600 mm horizontal centres with 8g x 2" CSK Sq. S/S self tapping screws through batten into frame  
Minimum 5 mm clearance to allow for thermal expansion

Ultraclad® UA 5833 Soffit Clip Top  
Cavity batten  
Refer V00 Batten Options

Note: this detail is required to limit cavities to 2 storeys or 7 m Max - Refer E2/AS1 clause 9.1.9.4



Interior lining

Bottom plate

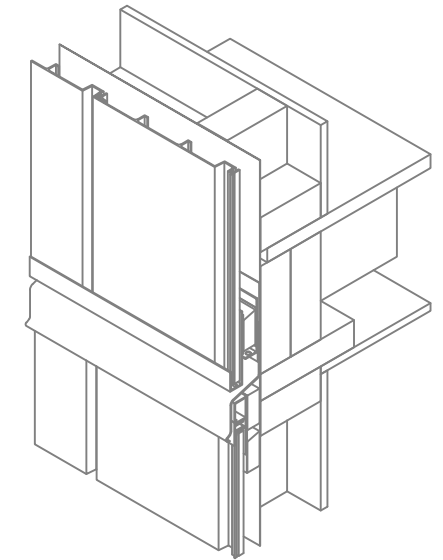
Flooring to finish 10 mm back from outside framing

Continuous boundary joists

For low to very-high wind zones the 'Z' flashing must have a 40 mm upstand and overlap the weatherboard face below by 35 mm. For extra-high wind zones the 'Z' flashing must have 65 mm upstand and overlap the weatherboard face below by 60 mm

Top plate

Interior lining



**ULTRACLAD**

Ultra-high performance cladding systems

PO Box 58009  
Botany  
Auckland 2163

Tel: 0800 500 338  
Email: buildingsystems@vulcan.co  
Web: buildingsystems.vulcan.co

**VULCAN.**

© 2023 Vulcan. All rights reserved.

V23

## INTER-STOREY JUNCTION ON CAVITY

Building Systems: Vertical Weatherboard Cavity System

REVISION:

11

SCALE:

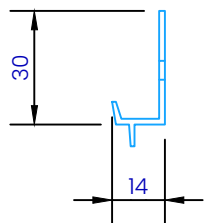
1 : 3 (@A4)

DATE:

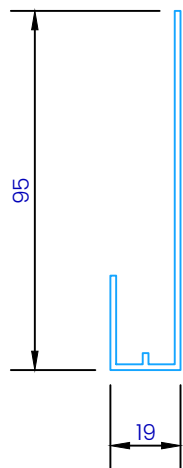
2024

BRANZ APPRAISAL #796

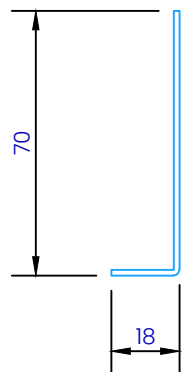
UA 4535  
Locator Clip



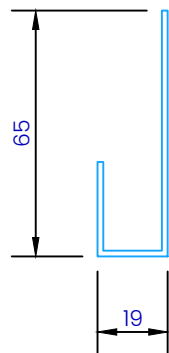
UA 4863  
Board Starter B



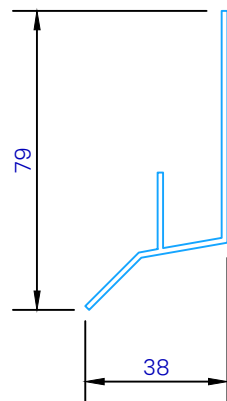
Cavity Vent Strip



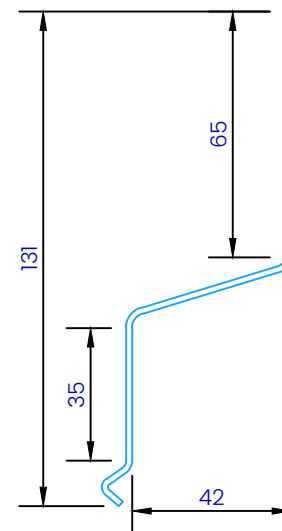
UA 4532  
J Moulding



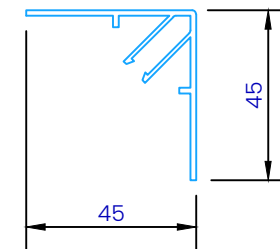
UA 4533  
Head Starter



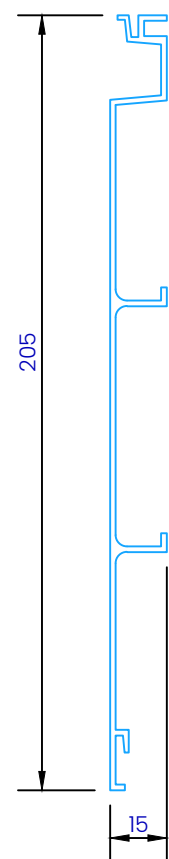
UA 7919  
Inter - Storey Flashing



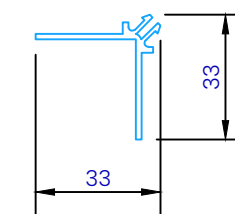
UA 7094  
Female Flat Corner



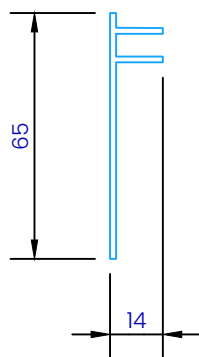
UA 6975  
Shadeline board



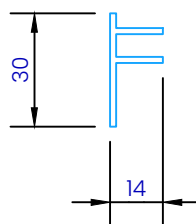
UA 7095  
Male Flat Corner



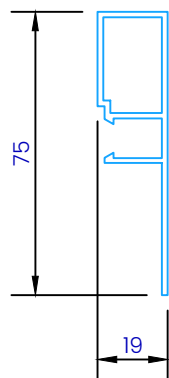
UA 5832  
Soffit 65mm Clip Top



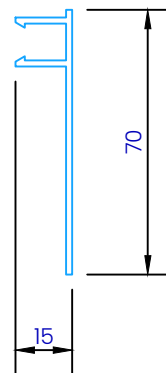
UA 5833  
Soffit 30mm Clip Top



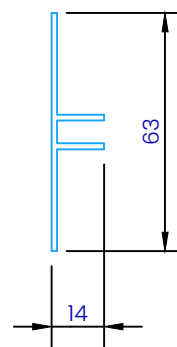
UA 7584  
Jamb/Sill Clip Base



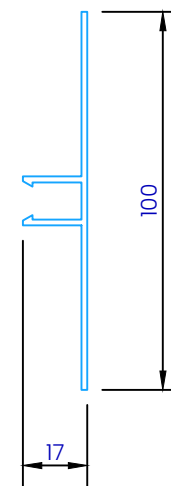
UA 5831  
Soffit Clip Base



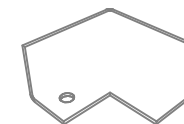
UA 7096  
Flat Jointer Top



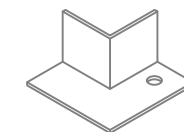
UA 6324  
2 Piece Jointer Base



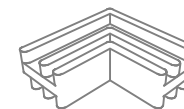
CLADNRCAP  
Corner Cap ( 1 : 3 )



CLADNRCAPI  
Internal Corner Cap ( 1 : 3 )



CLADSTAKECNR  
Plastic Staking Corner ( 1 : 3 )



REVISION:	11
SCALE:	1 : 2 (@A4)
DATE:	2024
BRANZ APPRAISAL #796	