

VERTICAL WEATHERBOARD CAVITY SYSTEM

REV: 11 2024

- V00: [Wall Batten Elevation](#)
- V01: [External Corner on Cavity](#)
- V02: [Internal Corner on Cavity](#)
- V03: [90 Deg Corner Cap](#)
- V04: [Vertical Wall Starter](#)
- V05: [No Soffit Detail on Cavity](#)
- V06: [Soffit Detail on Cavity](#)
- V07: [Timber Floor on Cavity](#)
- V08: [Window Head on Cavity](#)
- V09: [Window Jam on Cavity](#)
- V10: [Window Sill on Cavity](#)
- V11: [Sill - Jamb on Cavity](#)
- V12: [Head Flashing / Head Starter / Jamb Iso](#)
- V13: [Head - Jamb Iso](#)
- V14: [Head - Jamb Notching Details](#)
- V15: [Meter Box Head on Cavity](#)
- V16: [Meter Box Jamb on Cavity](#)
- V17: [Meter Box Sill on Cavity](#)
- V18: [Pipe Penetrations on Cavity](#)
- V19: [Roof - Wall Junction on Cavity](#)
- V20: [Gutter Wall Junction on Cavity](#)
- V21: [Parapet on Cavity](#)
- V22: [Deck Junction on Cavity](#)
- V23: [Inter - Storey Junction on Cavity](#)
- V24: [Accessories](#)
- V25: [Profiles](#)

ULTRACLAD
Ultra-high performance cladding systems

PO Box 58009
Botany
Auckland 2163

Tel: 0800 500 338
Email: buildingsystems@vulcan.co
Web: buildingsystems.vulcan.co

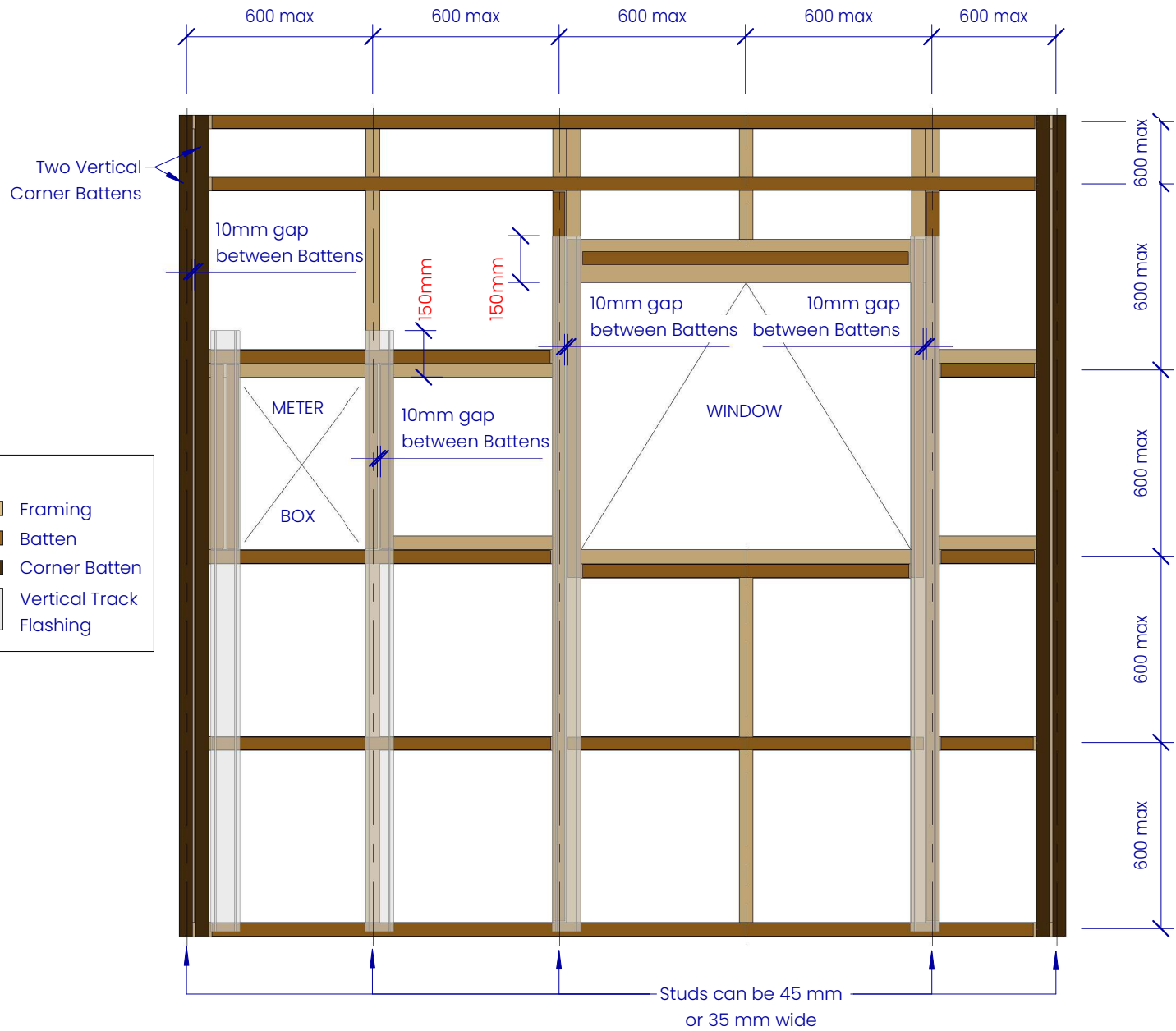
VULCAN.
© 2023 Vulcan. All rights reserved.

VER

Vertical Weatherboard Cavity System

Building Systems

REVISION:	11
SCALE:	1 : 2 (@A4)
DATE:	2024
BRANZ APPRAISAL #796	



KEY	
	Framing
	Batten
	Corner Batten
	Vertical Track Flashing

Batten options

Impervious barrier (MDPE) or similar tape between cladding and batten.
To comply with NZBC E2/AS1 - Table 23

Note:

Some machining of battens may be required to avoid "build up". i.e. back flashings / tapes

Cavity plastic Batten

Note: packing/shims may be needed to ensure boards are fitted flat without distortion.

* Additional timber may be required at soffit to support UA 5831 Soffit Base.

Note: Important

Underlay strips to isolate aluminium from treated timber battens 50 mm wide medium density polyethylene (MDPE)

To comply with NZBC E2/AS1 - Table 23. Properties of roofing underlays and wall underlays, separates aluminium components and accessories from timber battens treated with copper-based treatments

Cavity closers required as per NZBC E2/AS1 (section 9.1.8)

Vertical Cavity Corner Batten
50 x 25 mm H3.1 treated Radiata.
Cavity battens fixed with 6g x 1.25" CSK Sq S/S pre-drilled screws through batten into stud

0.9 x 90 mm Aluminium Track Flashing.
Alternatively use Dynex Dynafash

ULTRACLAD
Ultra-high performance cladding systems

PO Box 58009
Botany
Auckland 2163

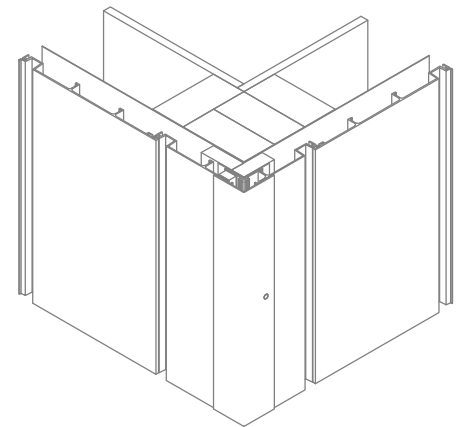
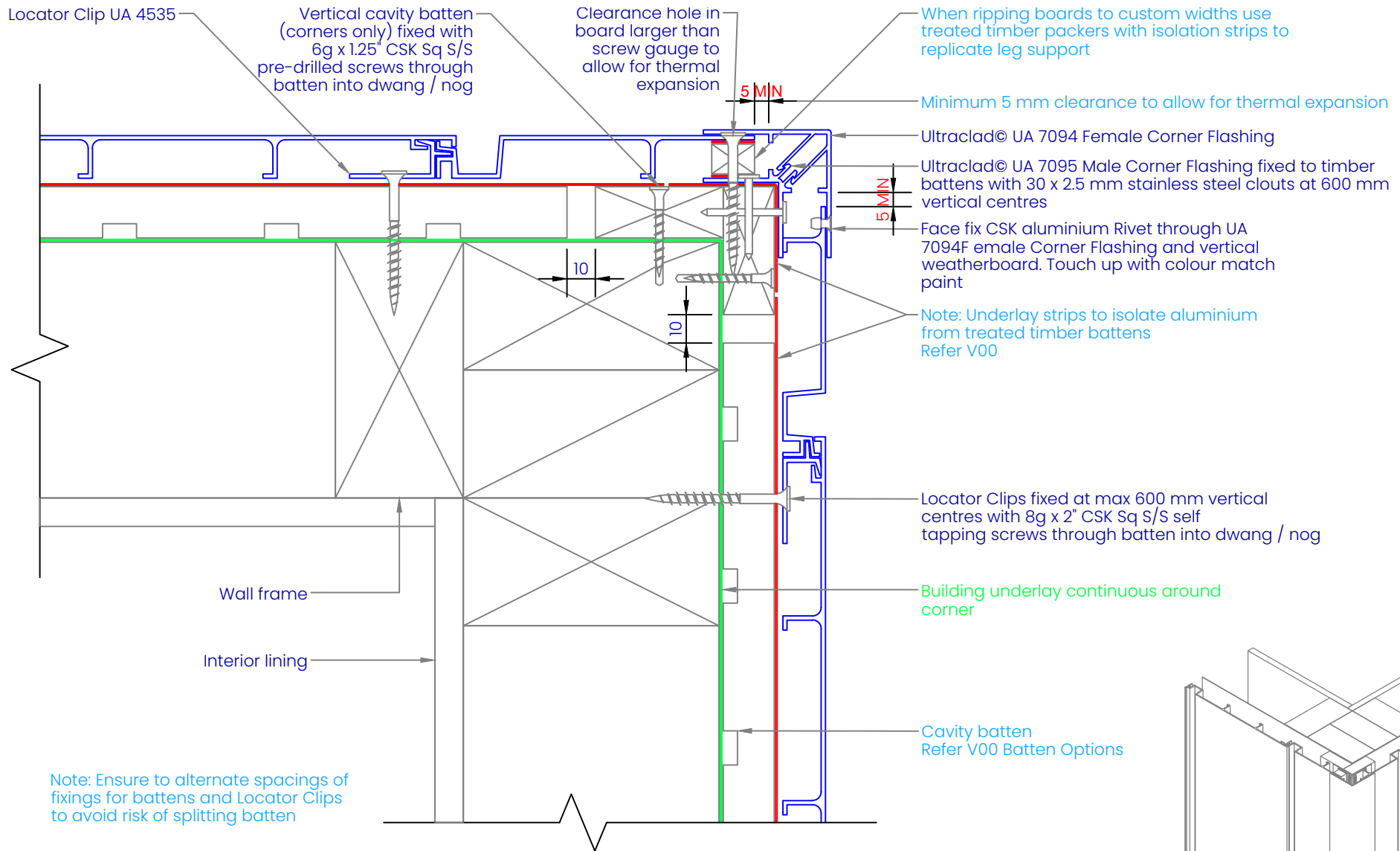
Tel: 0800 500 338
Email: buildingsystems@vulcan.co
Web: buildingsystems.vulcan.co

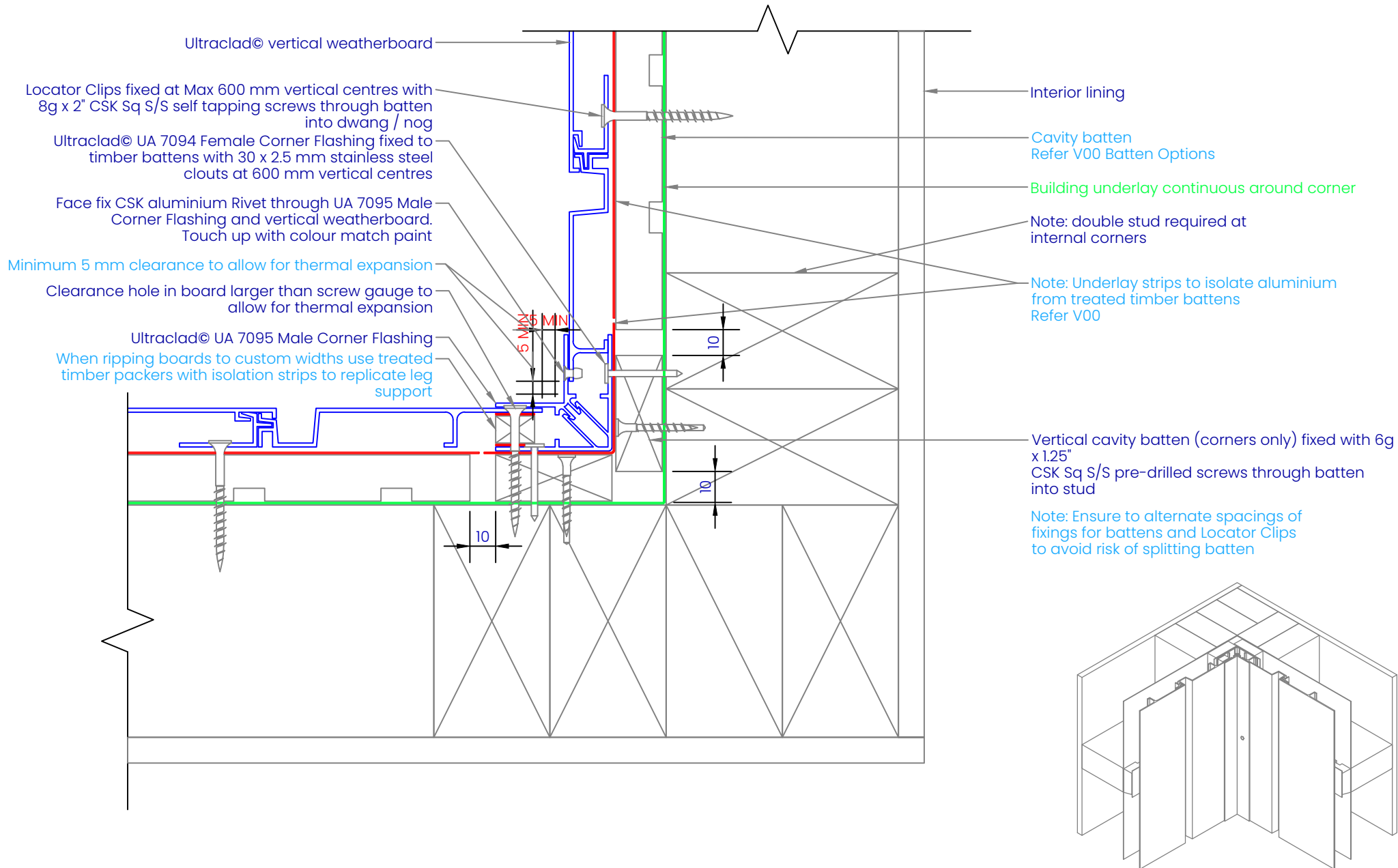
VULCAN.
© 2023 Vulcan. All rights reserved.

V00 WALL BATTEN ELEVATION

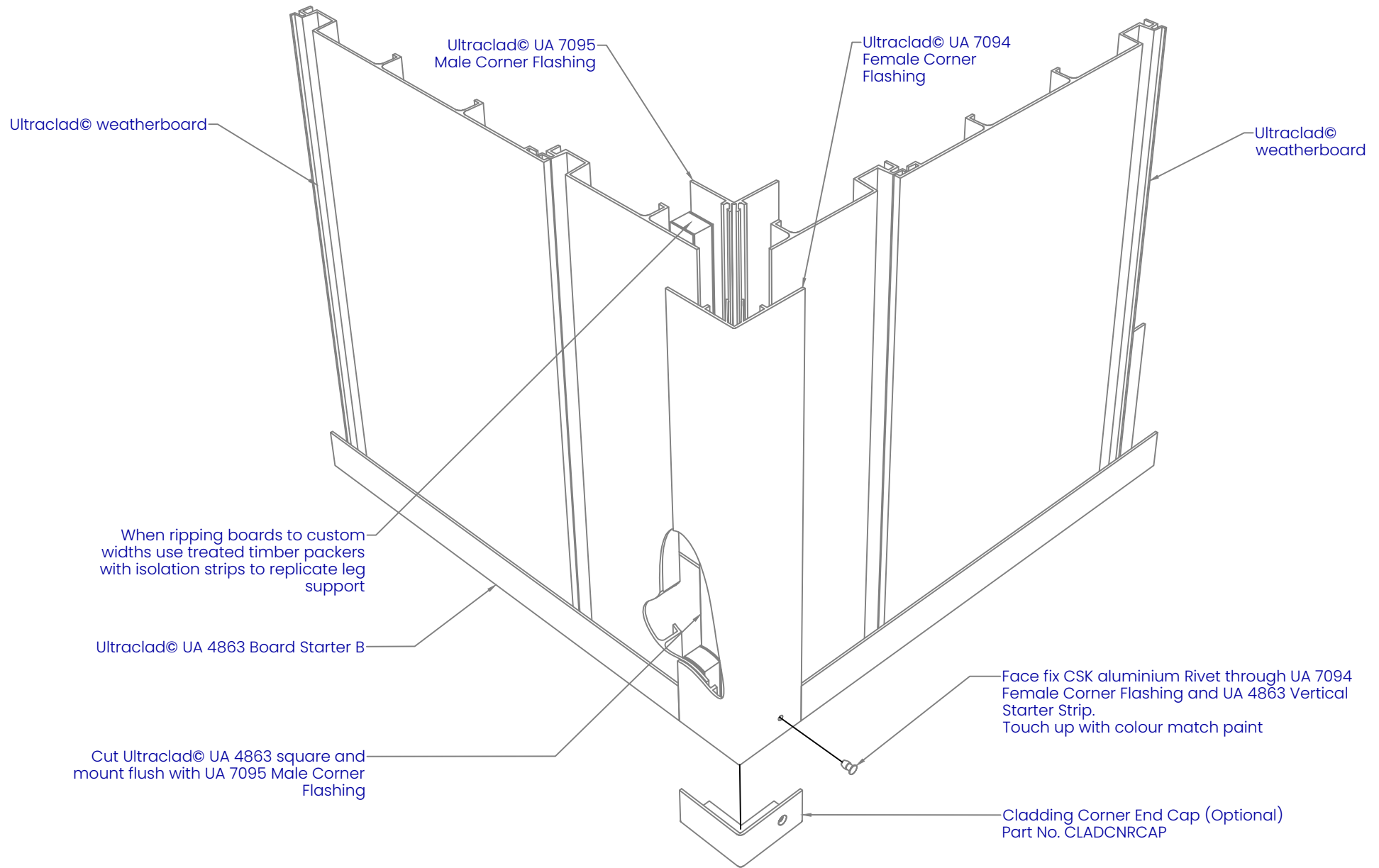
Building Systems: Vertical Weatherboard Cavity System

REVISION:	12
SCALE:	1:20 (@A4)
DATE:	2024
BRANZ APPRAISAL #796	

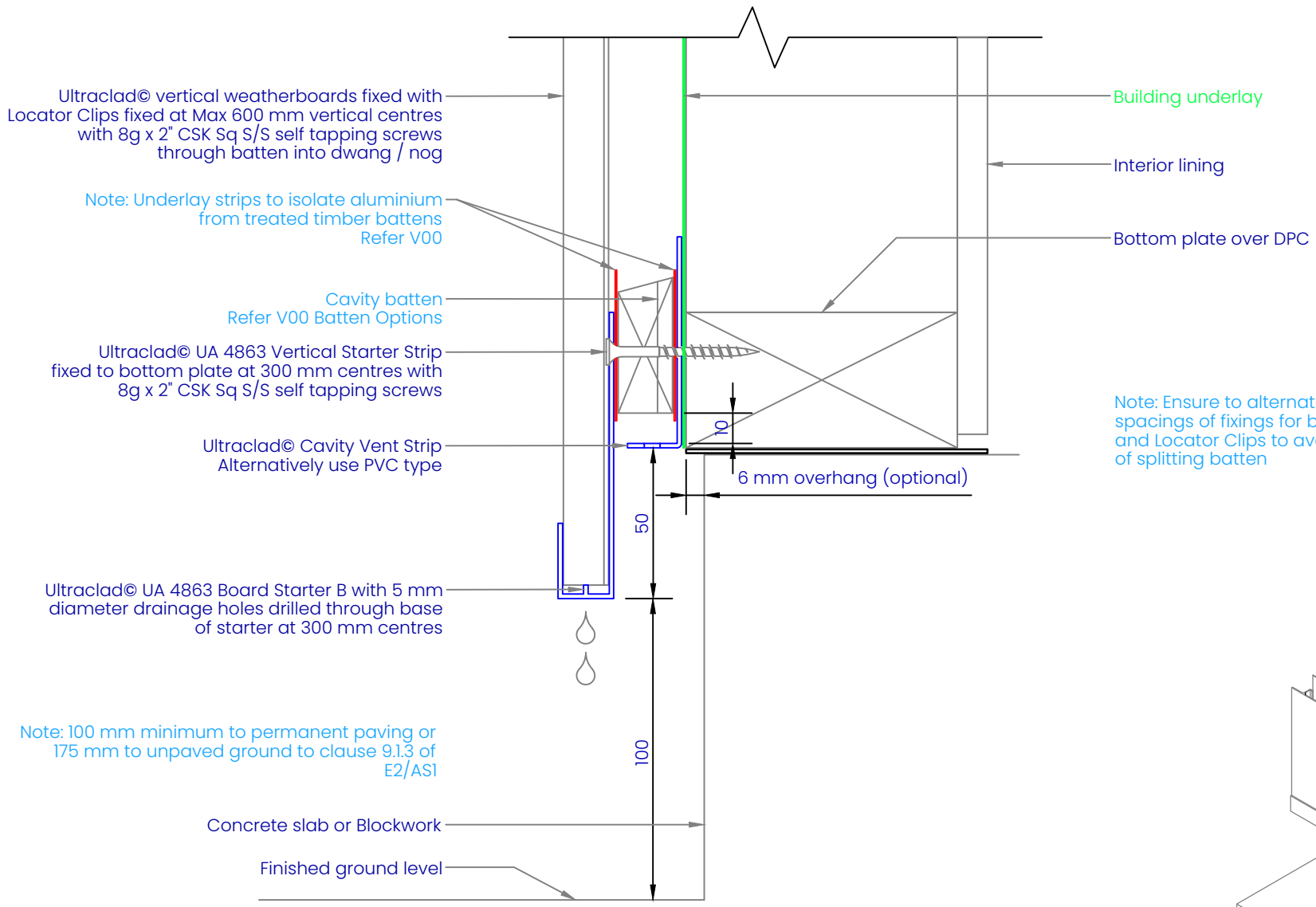




REVISION:	11
SCALE:	1 : 2 (@A4)
DATE:	2024
BRANZ APPRAISAL #796	



REVISION:	11
SCALE:	1 : 3 (@A4)
DATE:	2024
BRANZ APPRAISAL #796	



Ultraclad® vertical weatherboards fixed with Locator Clips fixed at Max 600 mm vertical centres with 8g x 2" CSK Sq S/S self tapping screws through batten into dwang / nog

Note: Underlay strips to isolate aluminium from treated timber battens Refer V00

Cavity batten Refer V00 Batten Options

Ultraclad® UA 4863 Vertical Starter Strip fixed to bottom plate at 300 mm centres with 8g x 2" CSK Sq S/S self tapping screws

Ultraclad® Cavity Vent Strip Alternatively use PVC type

Ultraclad® UA 4863 Board Starter B with 5 mm diameter drainage holes drilled through base of starter at 300 mm centres

Note: 100 mm minimum to permanent paving or 175 mm to unpaved ground to clause 9.1.3 of E2/AS1

Concrete slab or Blockwork

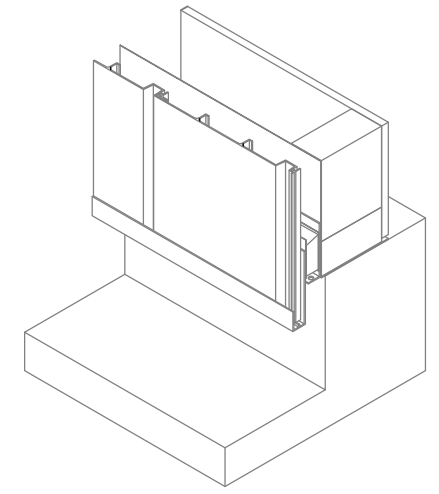
Finished ground level

Building underlay

Interior lining

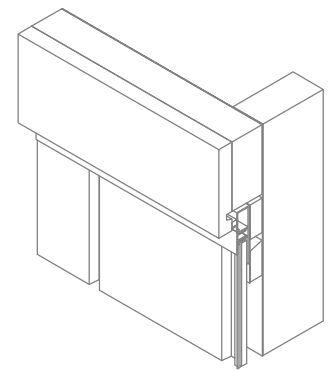
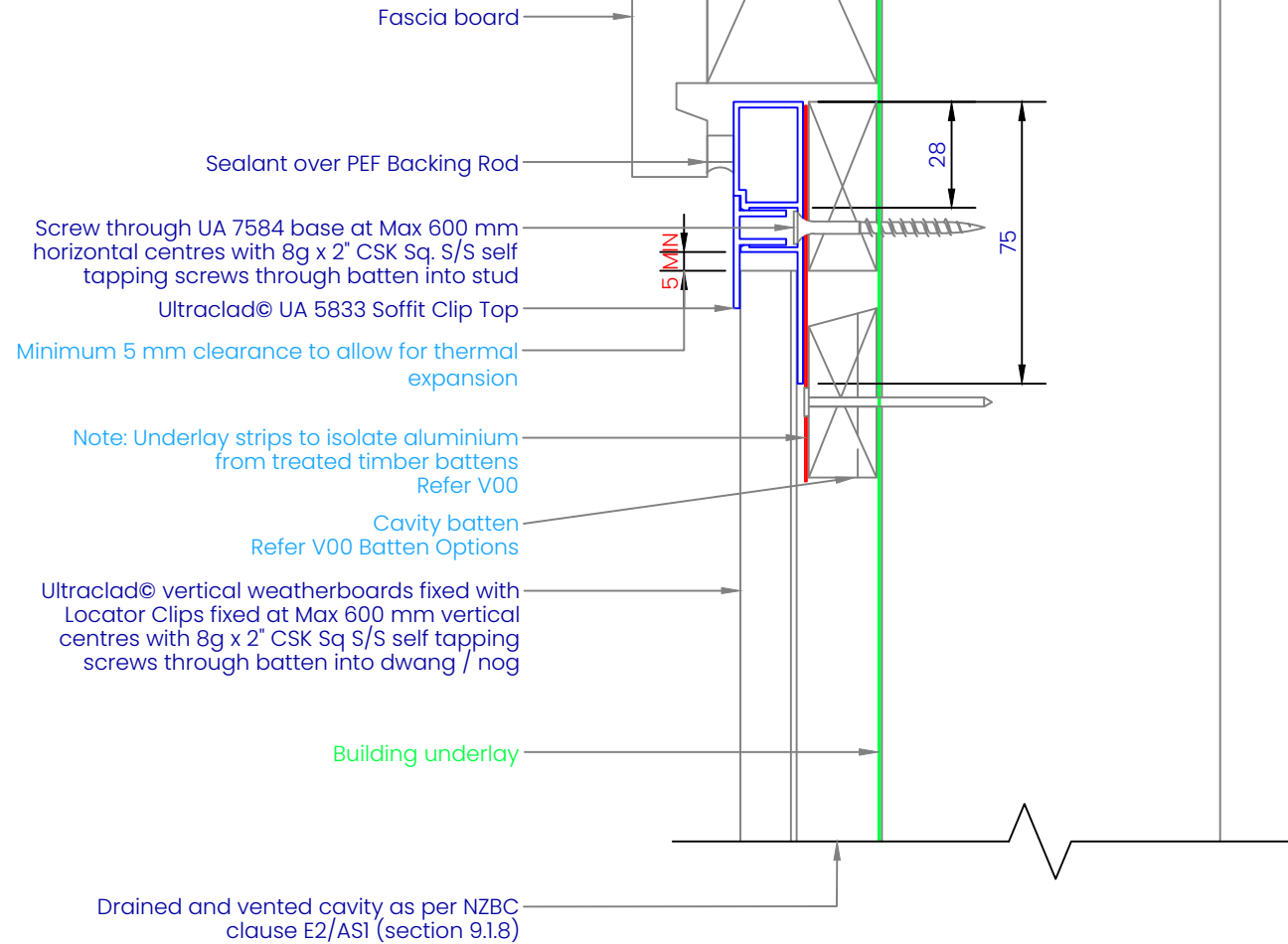
Bottom plate over DPC

Note: Ensure to alternate spacings of fixings for battens and Locator Clips to avoid risk of splitting batten



REVISION:	11
SCALE:	1 : 2 (@A4)
DATE:	2024
BRANZ APPRAISAL #796	

Note: Ensure to alternate spacings of fixings for battens and Locator Clips to avoid risk of splitting batten



ULTRACLAD
Ultra-high performance cladding systems

PO Box 58009
Botany
Auckland 2163

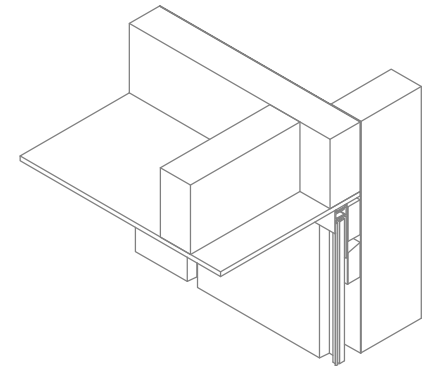
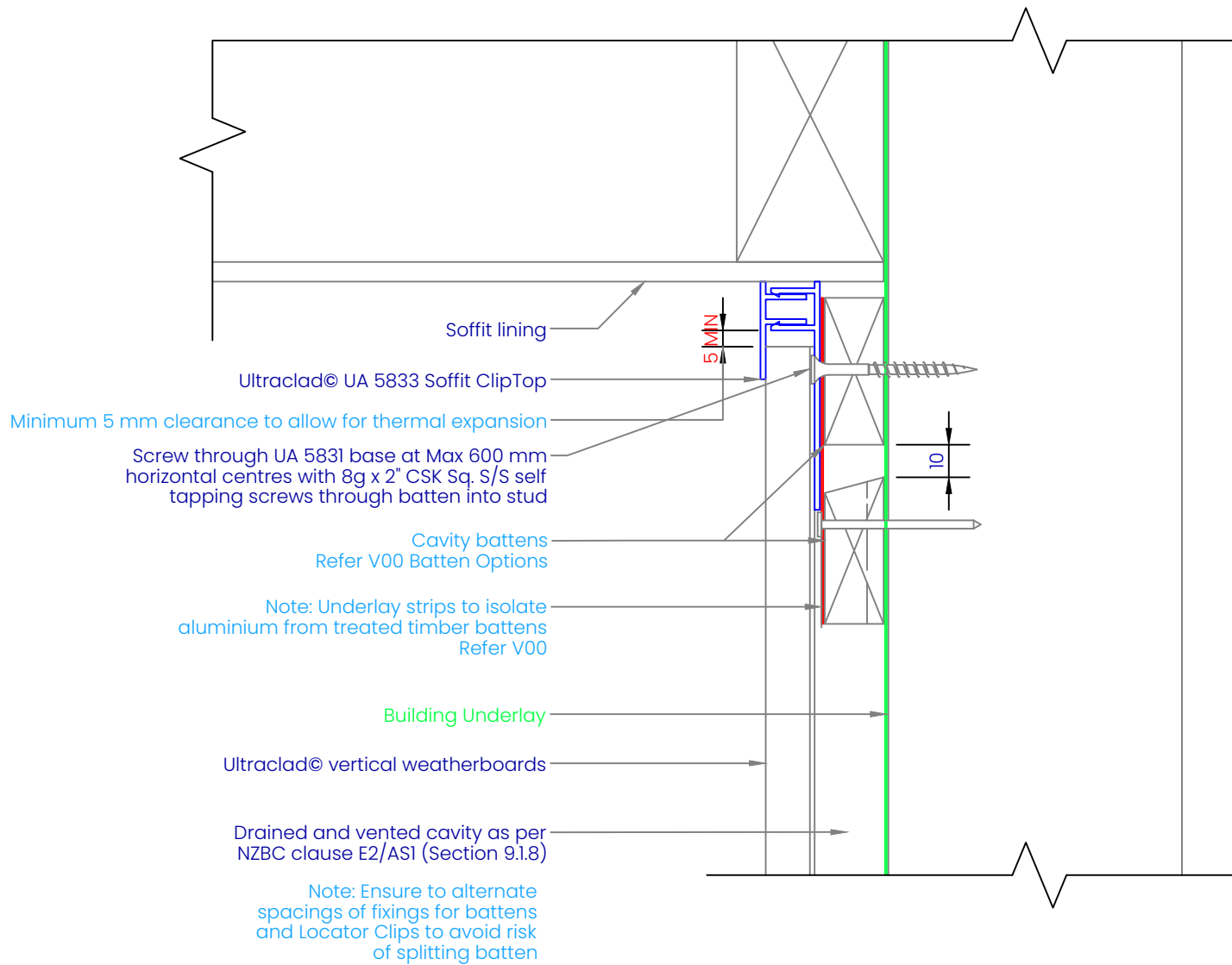
Tel: 0800 500 338
Email: buildingsystems@vulcan.co
Web: buildingsystems.vulcan.co

VULCAN.
© 2023 Vulcan. All rights reserved.

V05
NO SOFFIT DETAIL ON CAVITY

Building Systems: Vertical Weatherboard Cavity System

REVISION:	11
SCALE:	1 : 2 (@A4)
DATE:	2024
BRANZ APPRAISAL #796	



ULTRACLAD
Ultra-high performance cladding systems

PO Box 58009
Botany
Auckland 2163

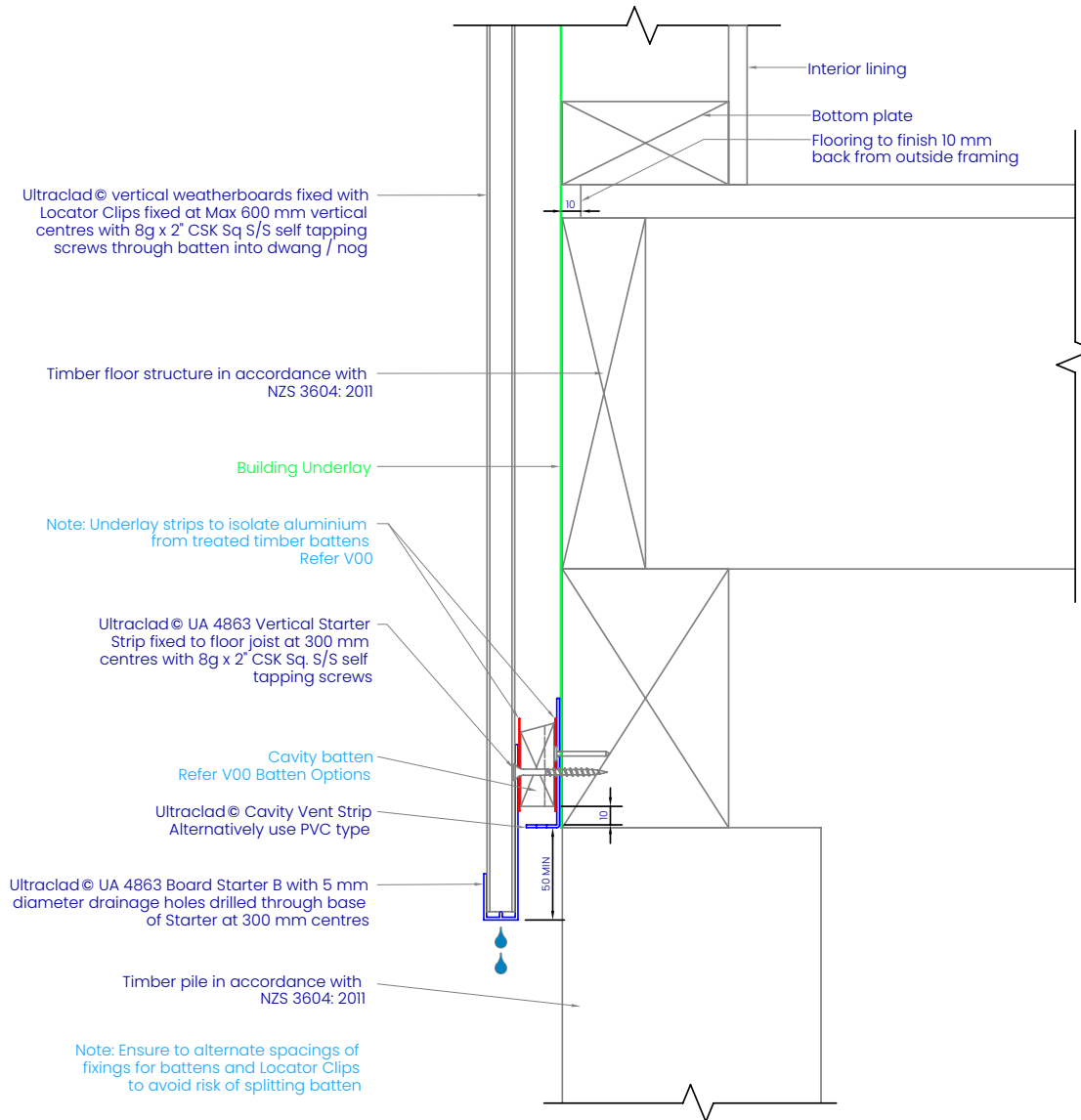
Tel: 0800 500 338
Email: buildingsystems@vulcan.co
Web: buildingsystems.vulcan.co

VULCAN.
© 2023 Vulcan. All rights reserved.

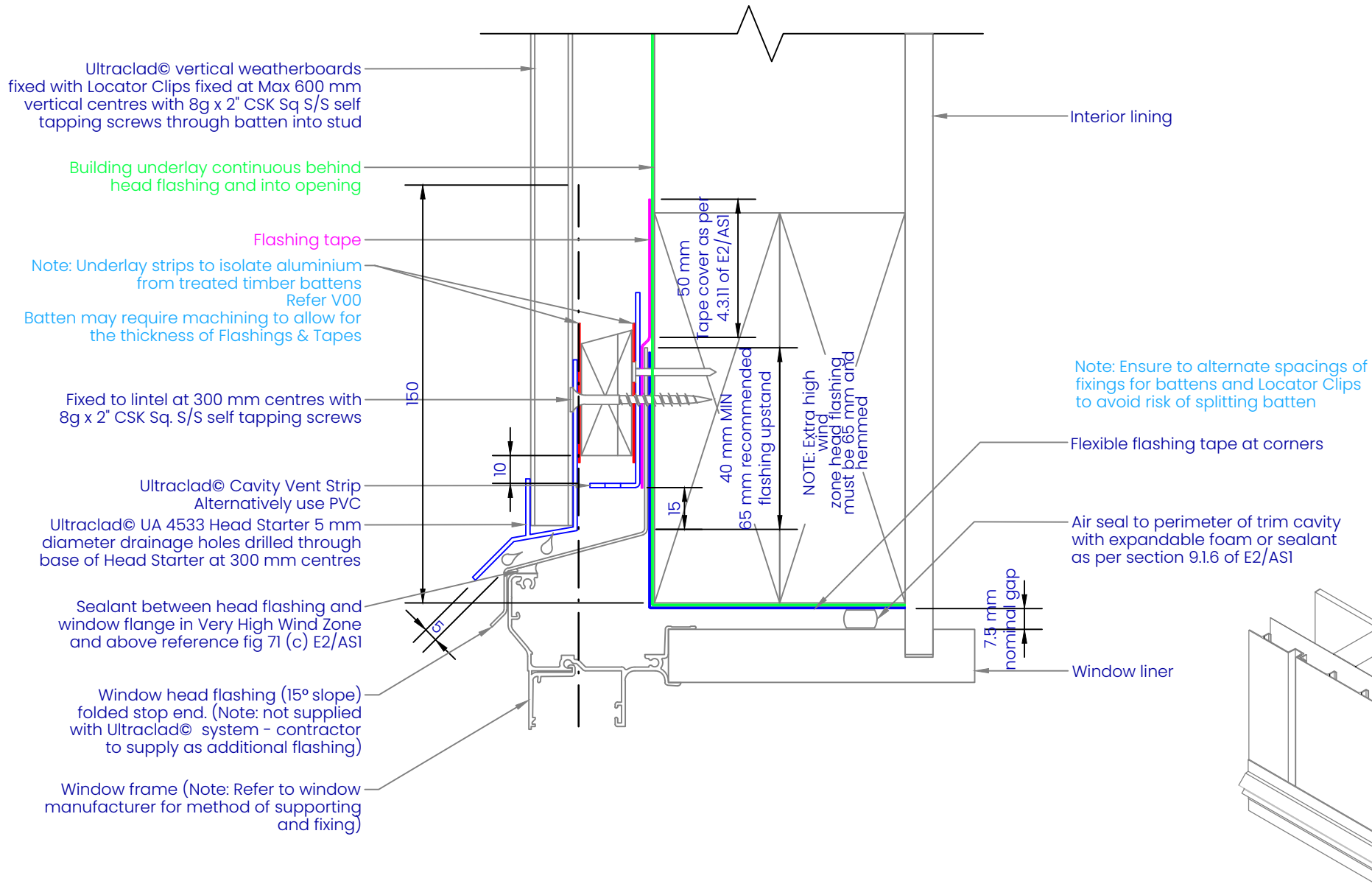
V06
SOFFIT DETAIL ON CAVITY

Building Systems: Vertical Weatherboard Cavity System

REVISION:	11
SCALE:	1 : 2 (@A4)
DATE:	2024
BRANZ APPRAISAL #796	



REVISION:	11
SCALE:	1: 4 (@A4)
DATE:	2024
BRANZ APPRAISAL #796	



ULTRACLAD

Ultra-high performance cladding systems

PO Box 58009
Botany
Auckland 2163

Tel: 0800 500 338
Email: buildingsystems@vulcan.co
Web: buildingsystems.vulcan.co

VULCAN.

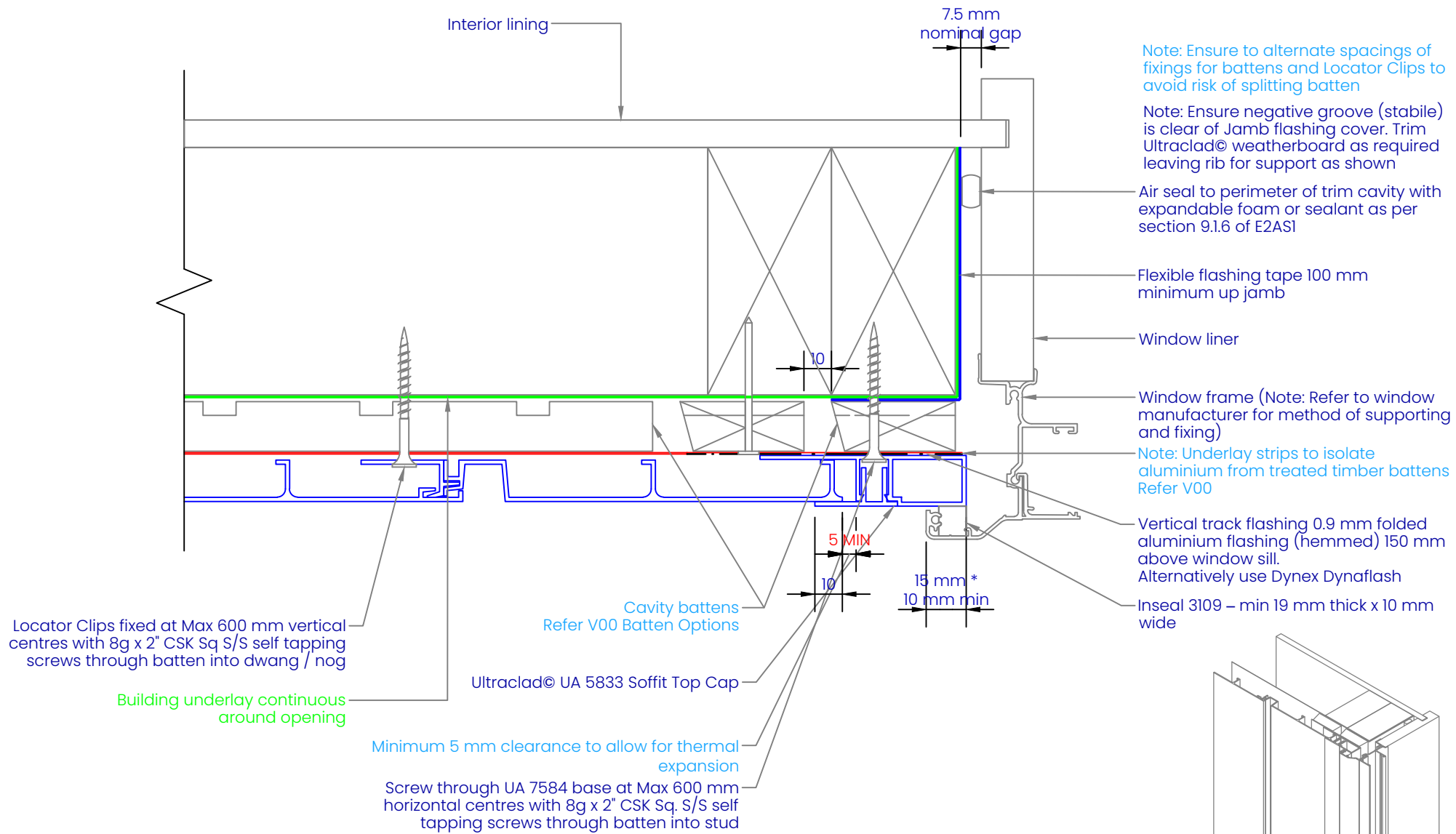
© 2023 Vulcan. All rights reserved.

V08

WINDOW HEAD ON CAVITY

Building Systems: Vertical Weatherboard Cavity System

REVISION:	11
SCALE:	1 : 2 (@A4)
DATE:	2024
BRANZ APPRAISAL #796	



Note: Ensure to alternate spacings of fixings for battens and Locator Clips to avoid risk of splitting batten

Note: Ensure negative groove (stable) is clear of Jamb flashing cover. Trim Ultraclad® weatherboard as required leaving rib for support as shown

Air seal to perimeter of trim cavity with expandable foam or sealant as per section 9.1.6 of E2AS1

Flexible flashing tape 100 mm minimum up jamb

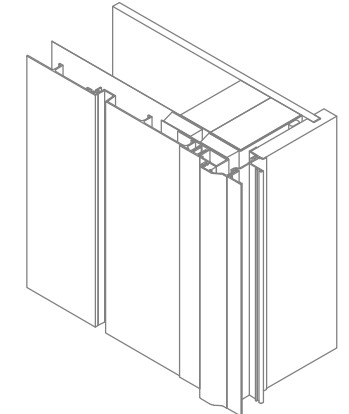
Window liner

Window frame (Note: Refer to window manufacturer for method of supporting and fixing)

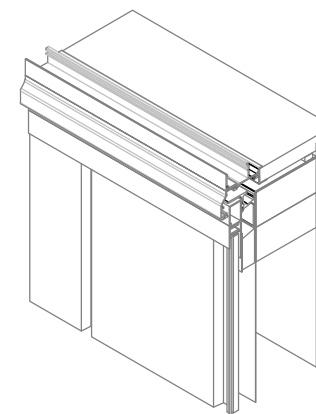
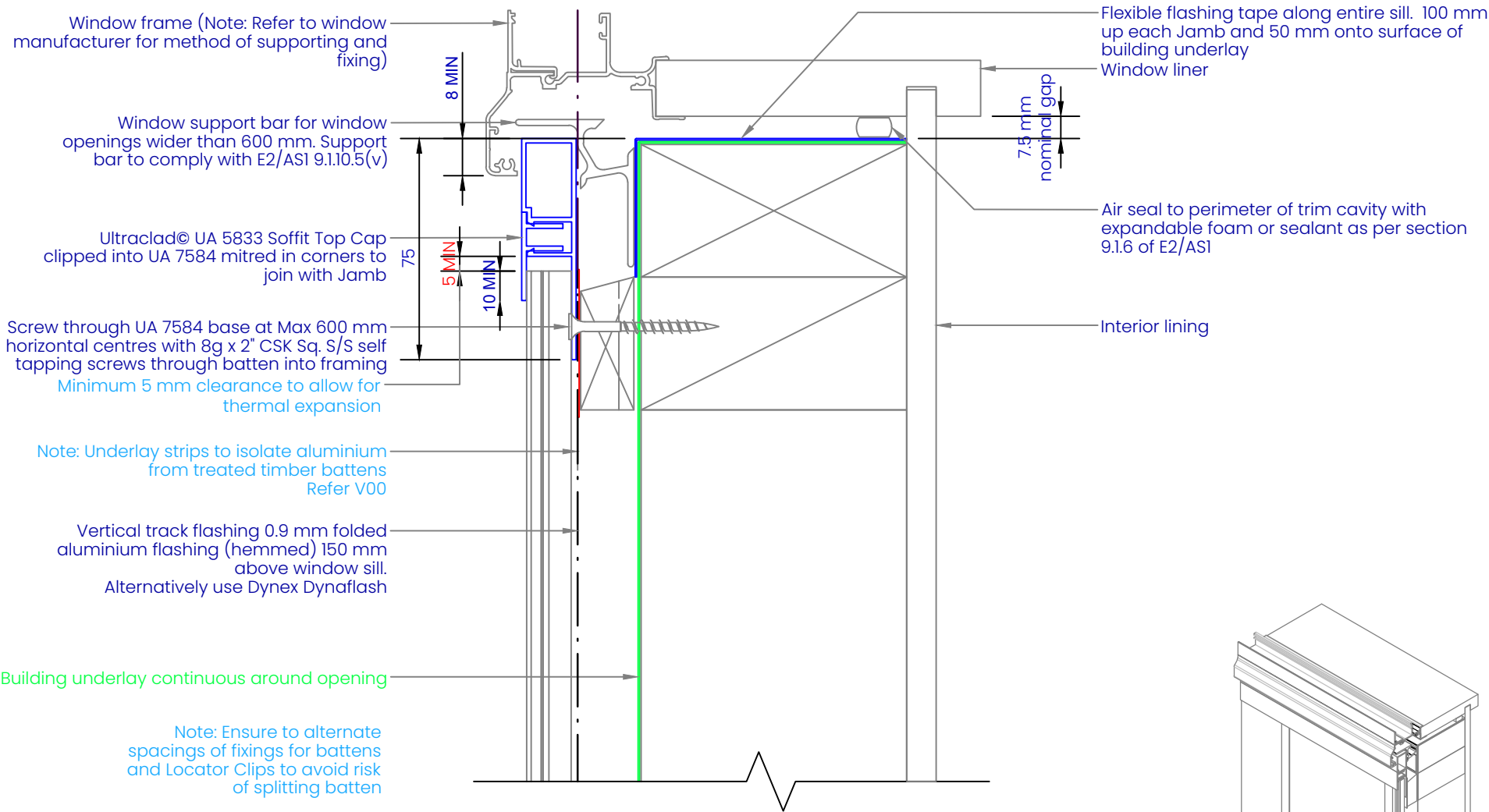
Note: Underlay strips to isolate aluminium from treated timber battens Refer V00

Vertical track flashing 0.9 mm folded aluminium flashing (hemmed) 150 mm above window sill. Alternatively use Dynex Dynaflash

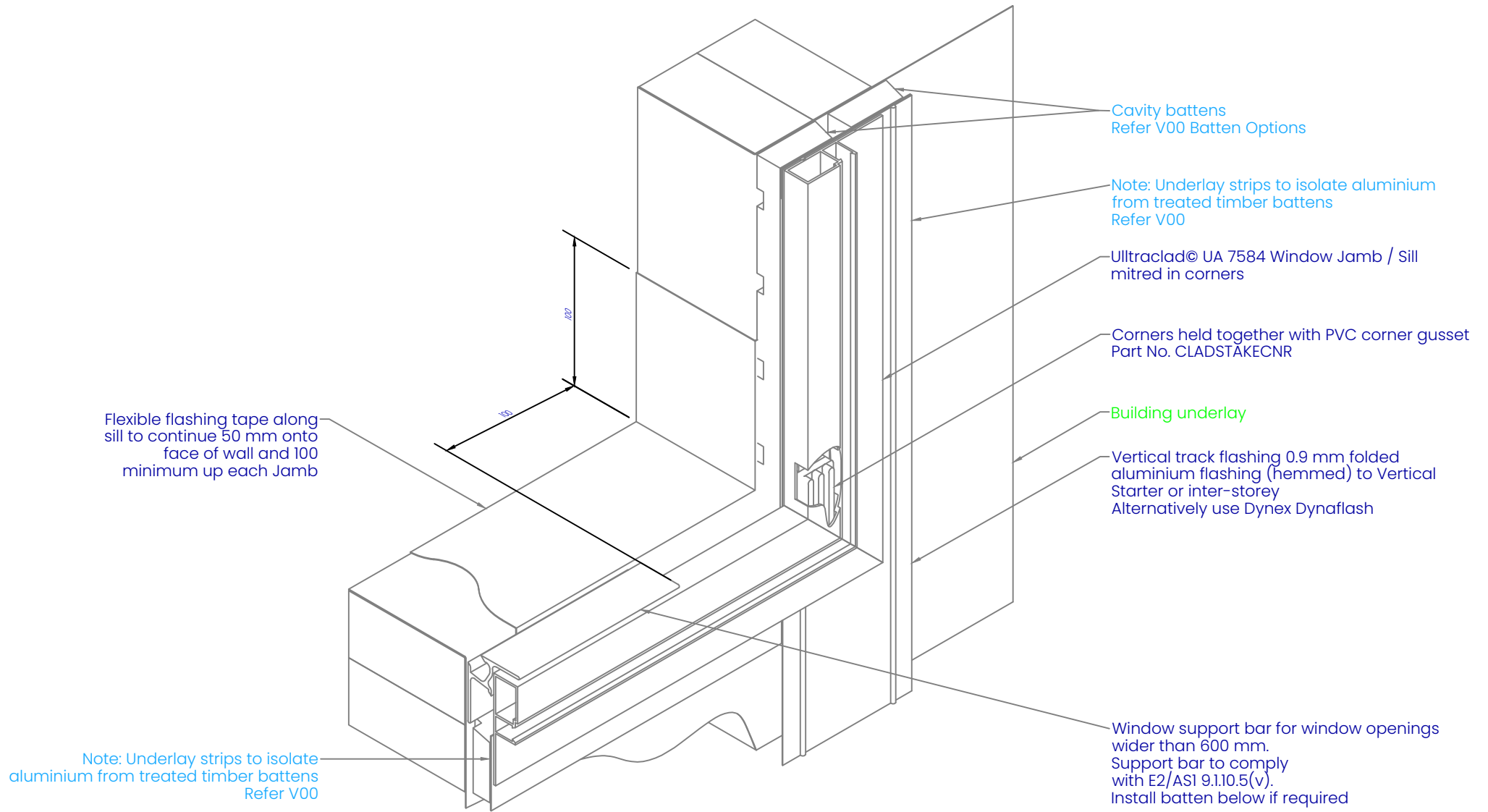
Inseal 3109 – min 19 mm thick x 10 mm wide



REVISION:	11
SCALE:	1 : 2 (@A4)
DATE:	2024
BRANZ APPRAISAL #796	



REVISION:	11
SCALE:	1 : 2 (@A4)
DATE:	2024
BRANZ APPRAISAL #796	



ULTRACLAD

Ultra-high performance cladding systems

PO Box 58009
Botany
Auckland 2163

Tel: 0800 500 338
Email: buildingsystems@vulcan.co
Web: buildingsystems.vulcan.co

VULCAN.
© 2023 Vulcan. All rights reserved.

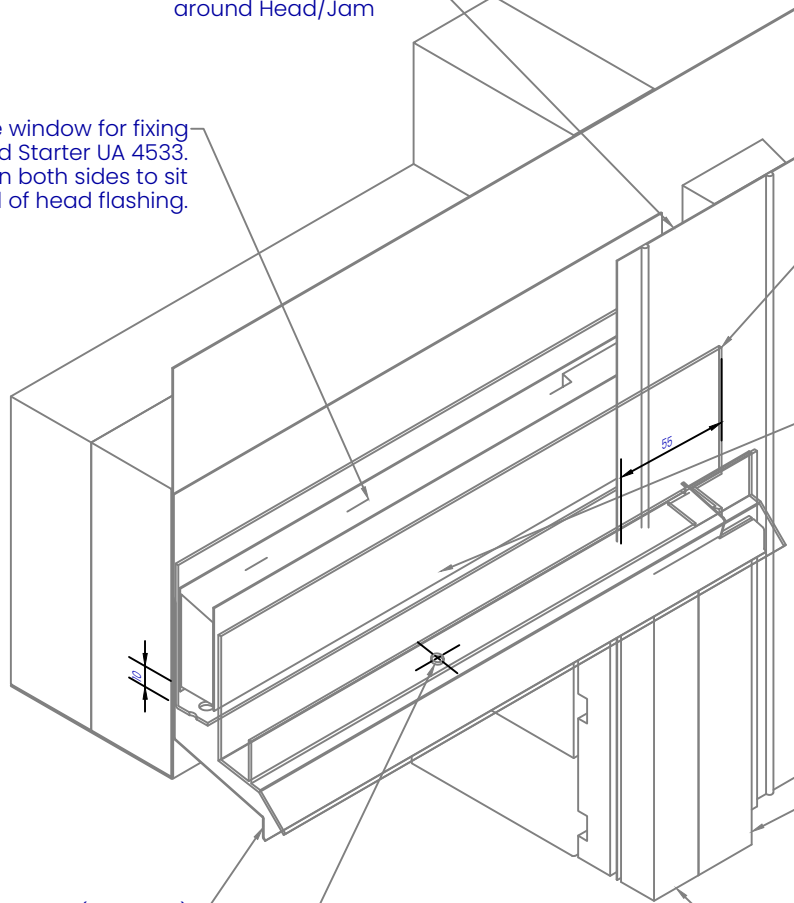
V11
SILL-JAMB ON CAVITY

Building Systems: Vertical Weatherboard Cavity System

REVISION:	11
SCALE:	1 : 3 (@A4)
DATE:	2024
BRANZ APPRAISAL #796	

Vertical track flashing 0.9 mm folded aluminium flashing (hemmed) to 150 mm above window head. Alternatively use Dynex Dynafash - Trimed to fit around Head/Jam

Battens above window for fixing window head Starter UA 4533. Outer batten both sides to sit inside stopend of head flashing.



Ultraclad® UA 4533 Head Starter

Ultraclad® Cavity Vent Strip
Alternatively use PVC

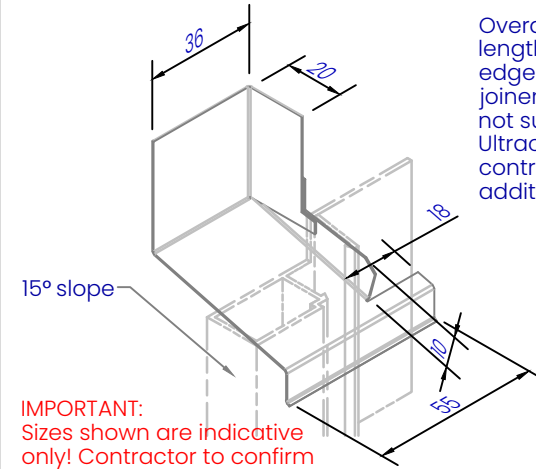
Ultraclad® UA 5833 Soffit Clip Top

Ultraclad® UA 7584 Jamb Flashing

Window Head Flashing (15° slope) folded stop end. (Note: not supplied with Ultraclad® system - contractor to supply as additional flashing)

Ultraclad® UA 4533 Head Starter 5 mm diameter drainage holes drilled through base of Head Starter at 300 mm centres

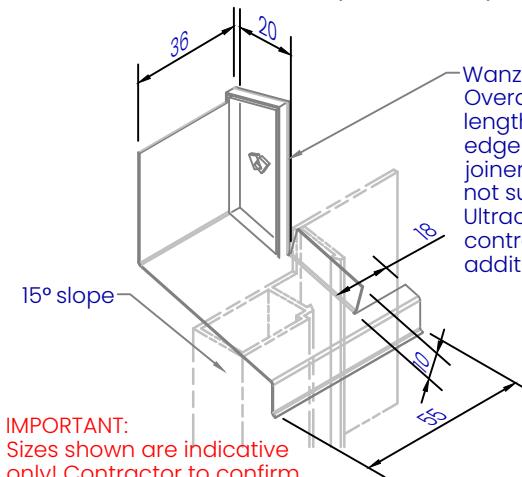
Window Head Flashing Option 1 Cut & Fold Stop End (1 : 2)



Overall Head Flashing length = +40 mm past edge of window and door joinery on each side. (Note: not supplied with Ultraclad® system - contractor to supply as additional flashing)

IMPORTANT:
Sizes shown are indicative only! Contractor to confirm onsite as joinery suites may vary

Window Head Flashing Option 1 Wanz Plastic Stop End Cap (1 : 2)



Wanz Plastic Stop End
Overall Head Flashing length = +40 mm past edge of window and door joinery on each side. (Note: not supplied with Ultraclad® system - contractor to supply as additional flashing)

IMPORTANT:
Sizes shown are indicative only! Contractor to confirm onsite as joinery suites may vary

ULTRACLAD
Ultra-high performance cladding systems

PO Box 58009
Botany
Auckland 2163

Tel: 0800 500 338
Email: buildingsystems@vulcan.co
Web: buildingsystems.vulcan.co

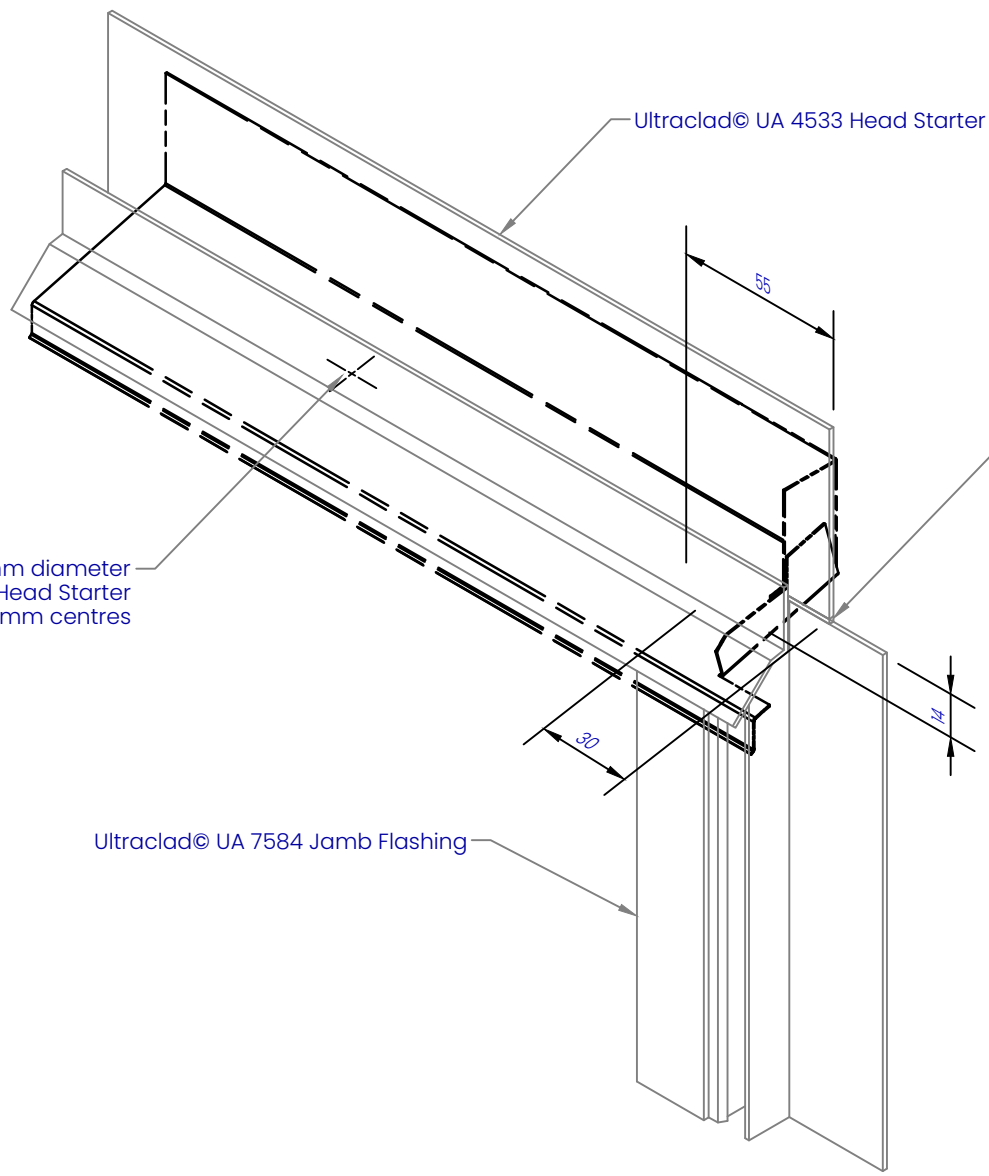
VULCAN.
© 2023 Vulcan. All rights reserved.

V12

HEAD FLASHING/ HEAD STARTER /JAMB ISO

Building Systems: Vertical Weatherboard Cavity System

REVISION:	11
SCALE:	1 : 3 (@A4)
DATE:	2024
BRANZ APPRAISAL #796	



Ultraclad® UA 4533 Head Starter

Ultraclad® UA 4533 Head Starter 5 mm diameter drainage holes drilled through base of Head Starter at 300 mm centres

Ultraclad® UA 7584 Jamb Flashing

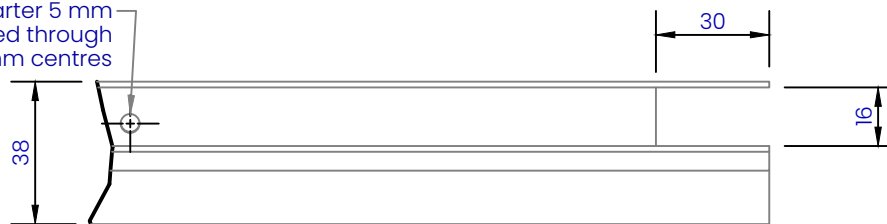
IMPORTANT:
 Sizes shown are indicative only!
 Contractor to confirm onsite as
 joinery suites may vary.

Applying sealant before fitting UA 4533 sealant at facade

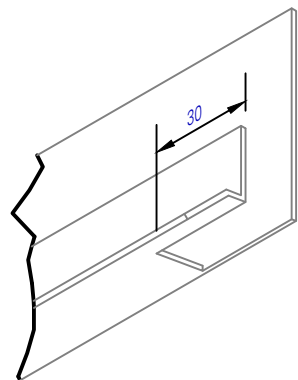
Note: Ultraclad® UA 4533 Head Starter to extend 40 mm past edge of window or door joinery. Building underlay, flashing tape and UA 5833 omitted for clarity

REVISION:	11
SCALE:	1 : 2 (@A4)
DATE:	2024
BRANZ APPRAISAL #796	

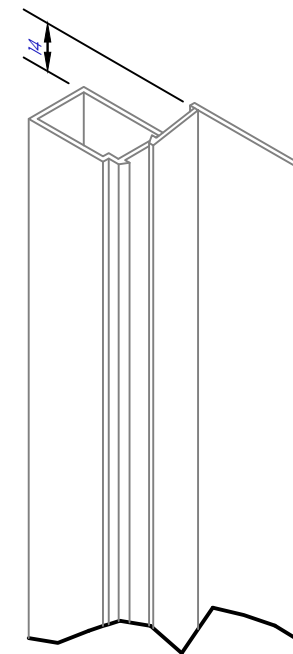
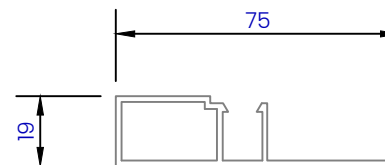
Ultraclad® UA 4533 Head Starter 5 mm diameter drainage holes drilled through base of Head Starter at 300 mm centres



IMPORTANT:
 Sizes shown are indicative only!
 Contractor to confirm onsite as
 joinery suites may vary.



Ultraclad® UA 7584
 Jamb Flashing



ULTRACLAD

Ultra-high performance cladding systems

PO Box 58009
 Botany
 Auckland 2163

Tel: 0800 500 338
 Email: buildingsystems@vulcan.co
 Web: buildingsystems.vulcan.co

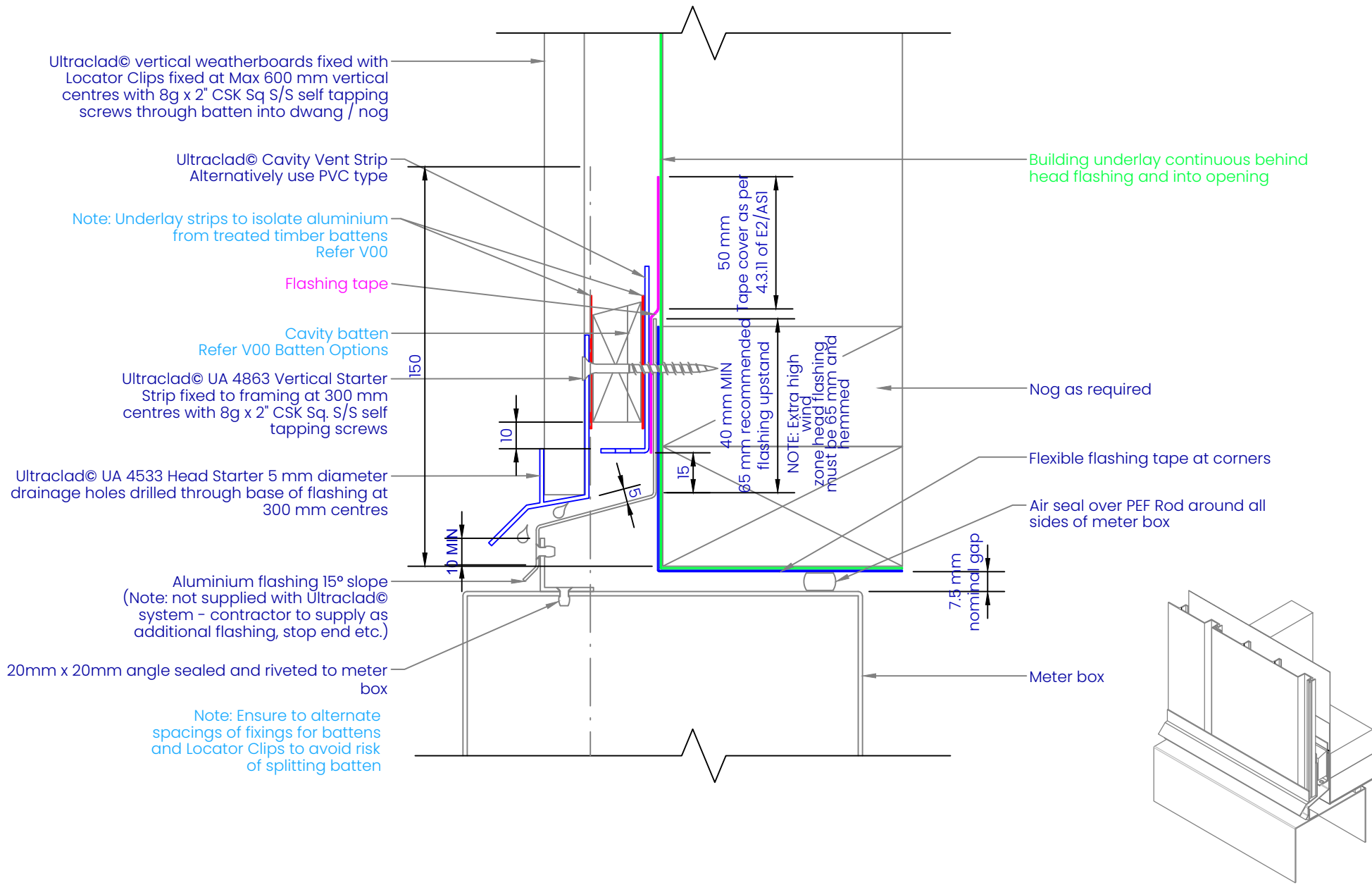
VULCAN.
 © 2023 Vulcan. All rights reserved.

V14

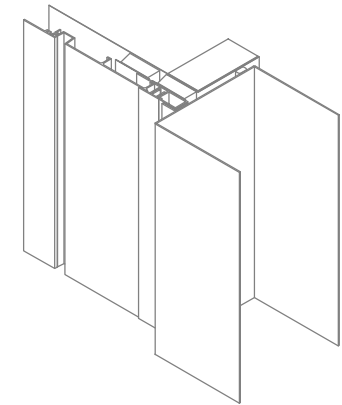
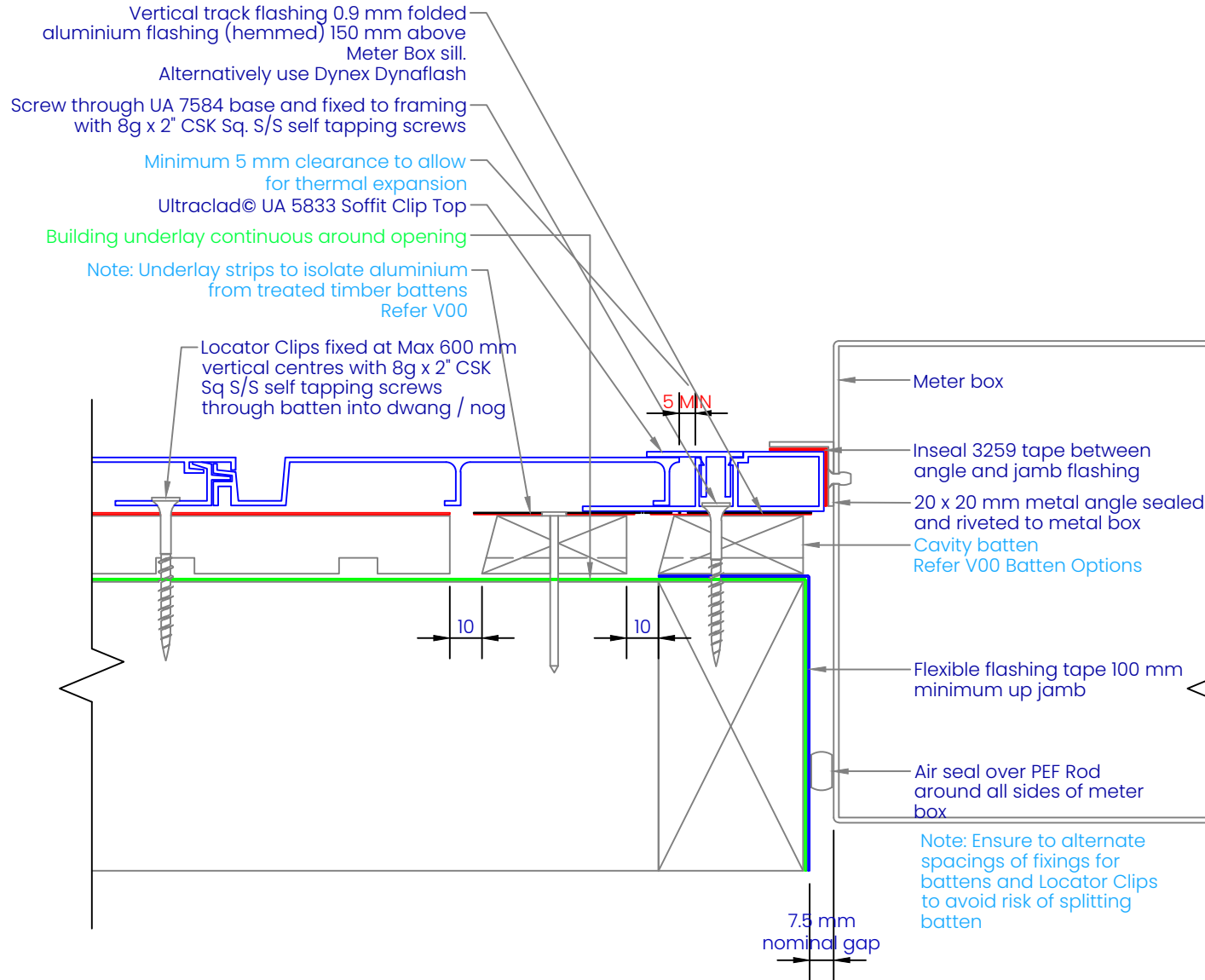
HEAD - JAMB NOTCHING DETAILS

Building Systems: Vertical Weatherboard Cavity System

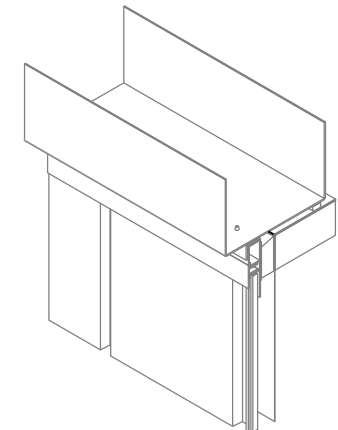
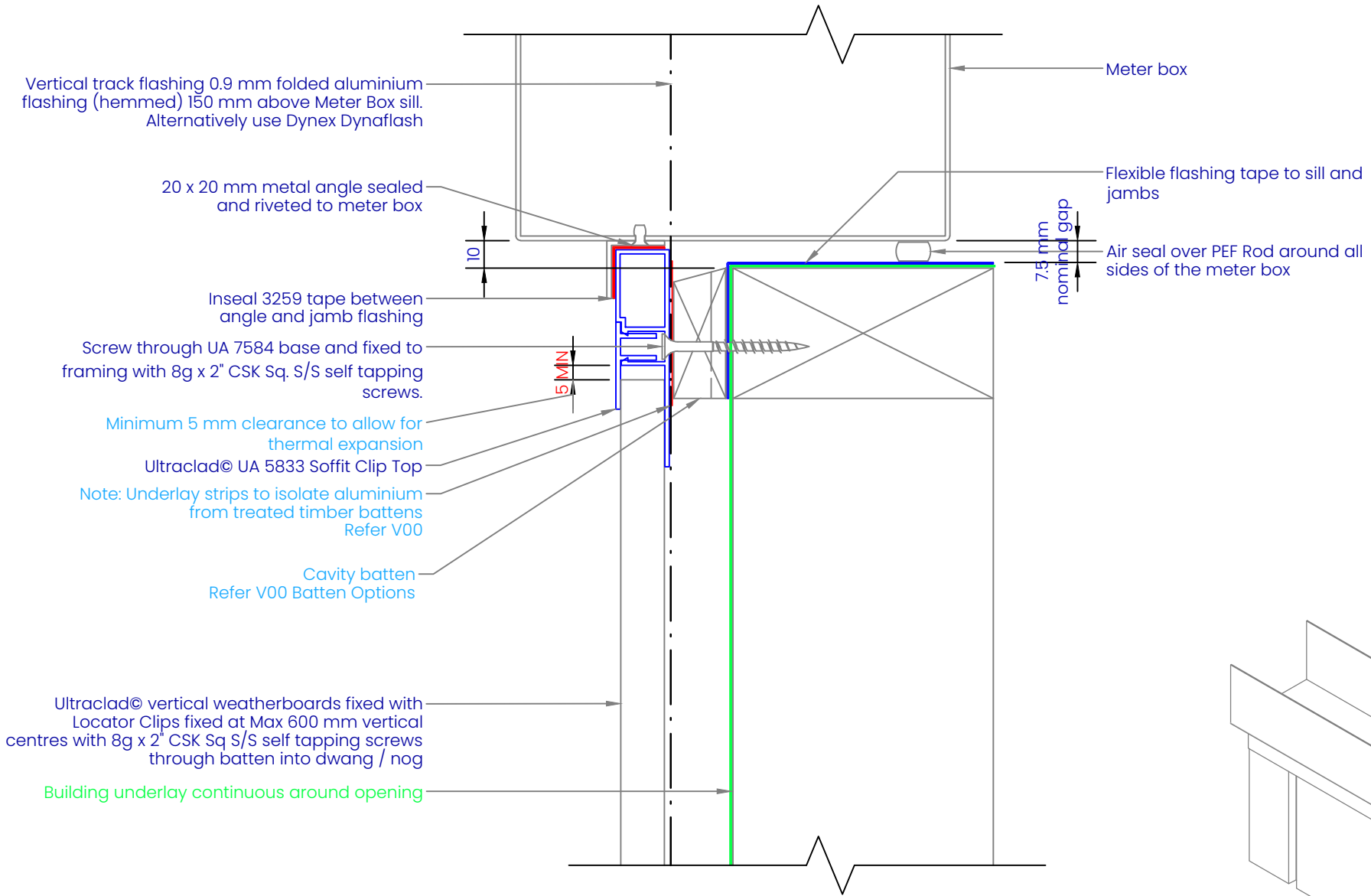
REVISION:	11
SCALE:	1 : 2 (@A4)
DATE:	2024
BRANZ APPRAISAL #796	



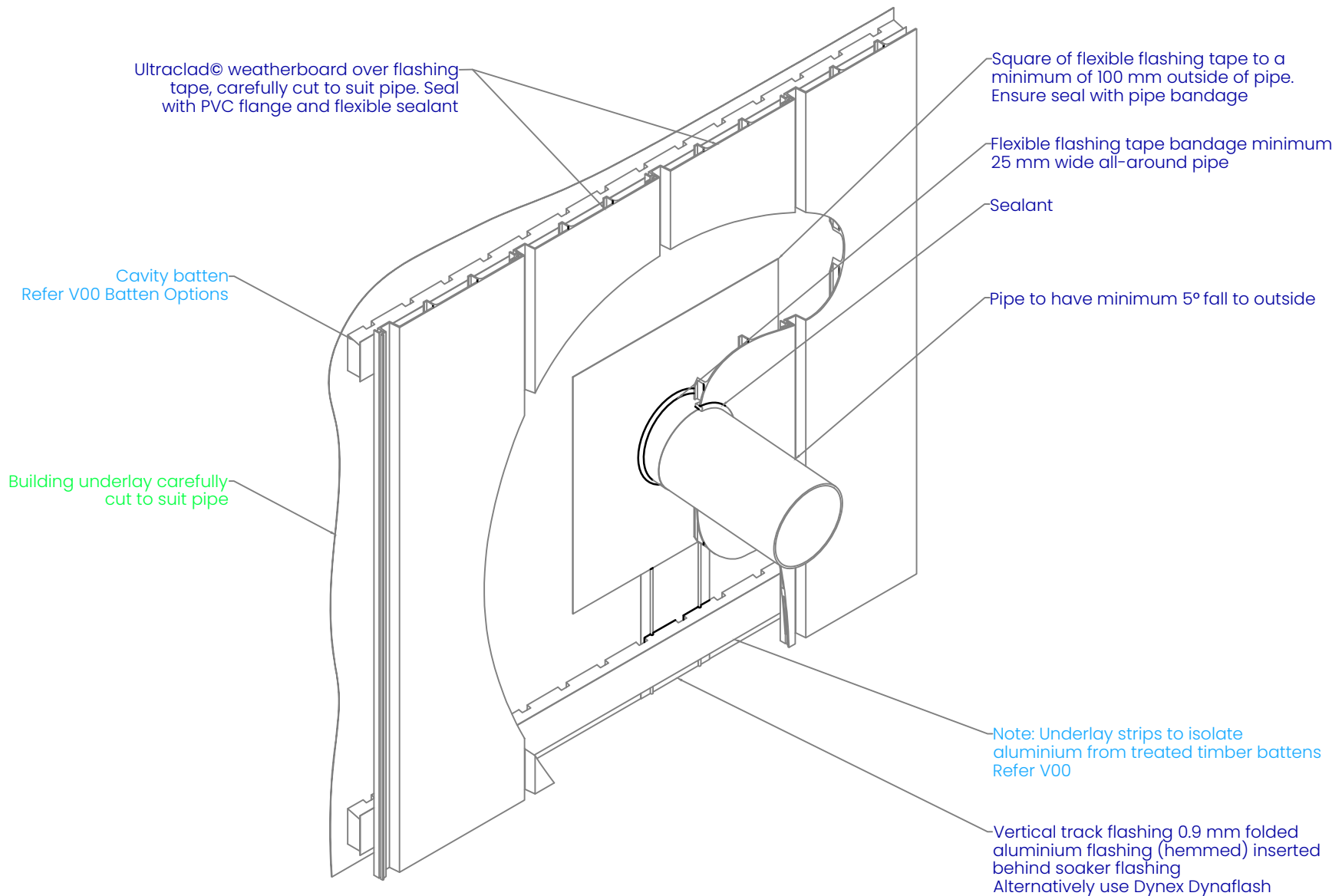
REVISION:	11
SCALE:	1 : 2 (@A4)
DATE:	2024
BRANZ APPRAISAL #796	



REVISION:	11
SCALE:	1 : 2 (@A4)
DATE:	2024
BRANZ APPRAISAL #796	



REVISION:	11
SCALE:	1 : 2 (@A4)
DATE:	2024
BRANZ APPRAISAL #796	



ULTRA CLAD

Ultra-high performance cladding systems

PO Box 58009
Botany
Auckland 2163

Tel: 0800 500 338
Email: buildingsystems@vulcan.co
Web: buildingsystems.vulcan.co

VULCAN.
© 2023 Vulcan. All rights reserved.

V18

PIPE PENETRATION ON CAVITY

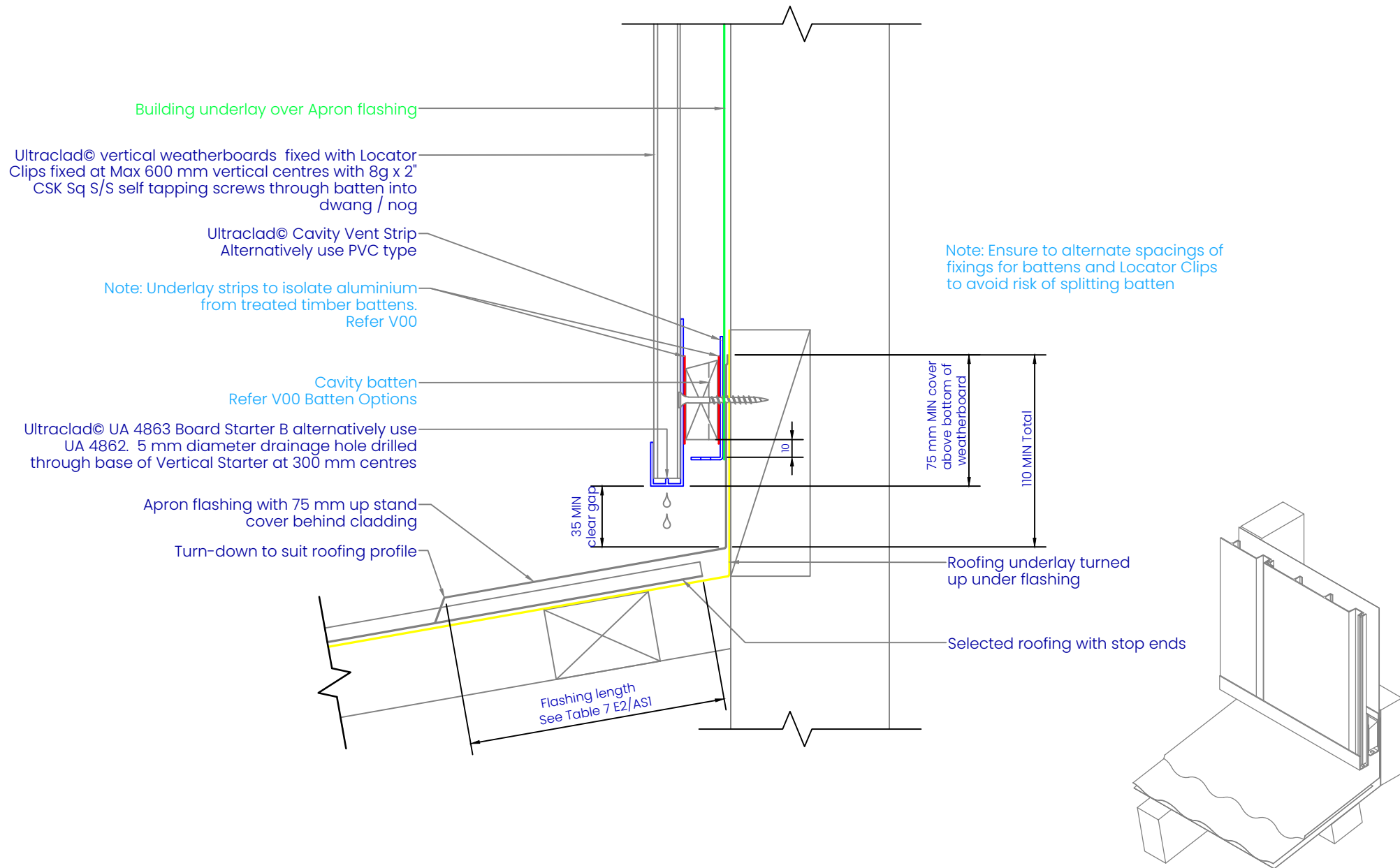
Building Systems: Vertical Weatherboard Cavity System

REVISION: 11

SCALE: 1:6 (@A4)

DATE: 2024

BRANZ APPRAISAL #796



Building underlay over Apron flashing

Ultraclad® vertical weatherboards fixed with Locator Clips fixed at Max 600 mm vertical centres with 8g x 2" CSK Sq S/S self tapping screws through batten into dwang / nog

Ultraclad® Cavity Vent Strip Alternatively use PVC type

Note: Underlay strips to isolate aluminium from treated timber battens. Refer V00

Cavity batten Refer V00 Batten Options

Ultraclad® UA 4863 Board Starter B alternatively use UA 4862. 5 mm diameter drainage hole drilled through base of Vertical Starter at 300 mm centres

Apron flashing with 75 mm up stand cover behind cladding

Turn-down to suit roofing profile

Note: Ensure to alternate spacings of fixings for battens and Locator Clips to avoid risk of splitting batten

75 mm MIN cover above bottom of weatherboard
110 mm MIN Total

35 mm MIN clear gap

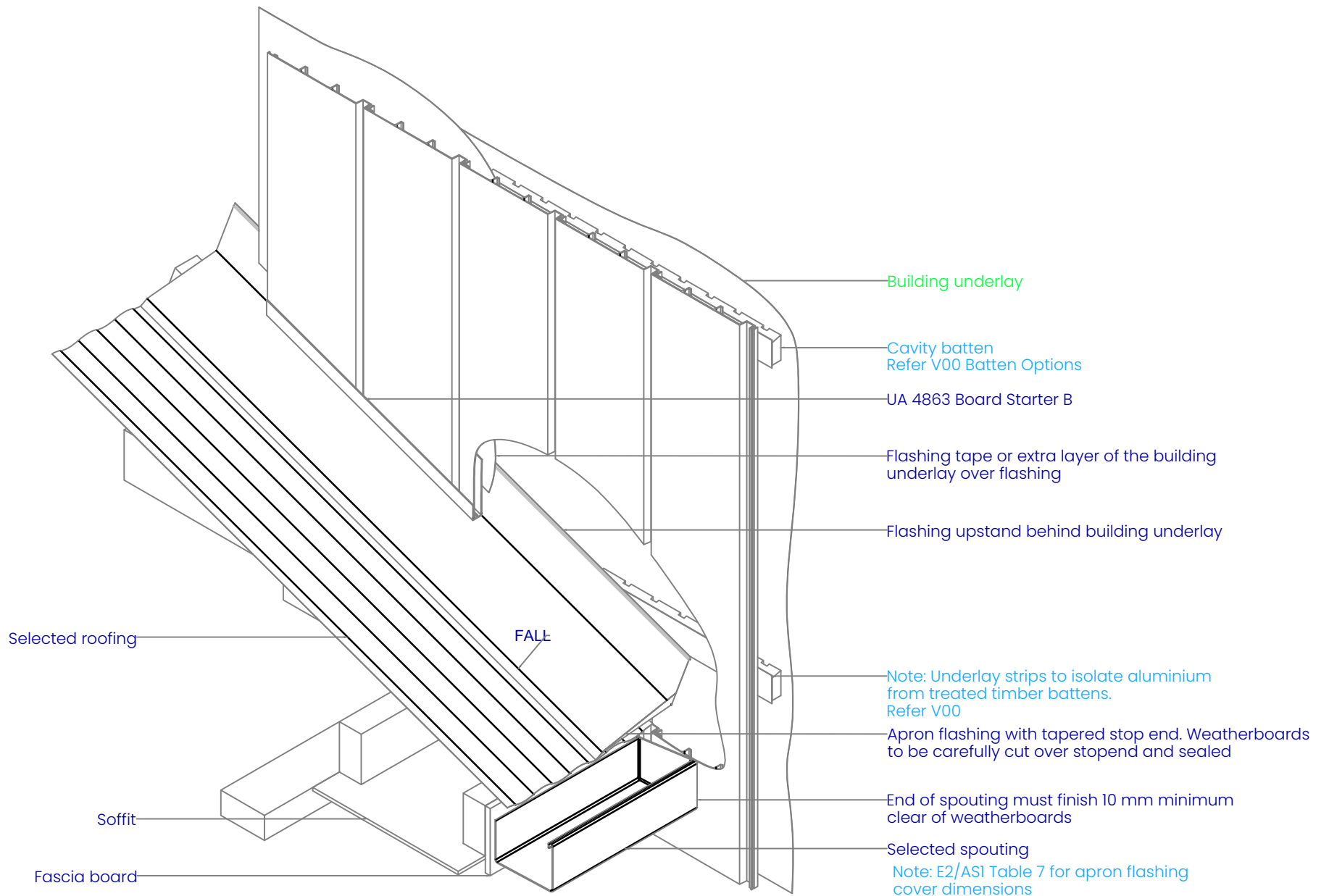
10

Roofing underlay turned up under flashing

Selected roofing with stop ends

Flashing length See Table 7 E2/AS1

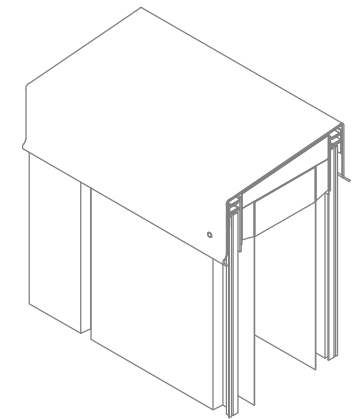
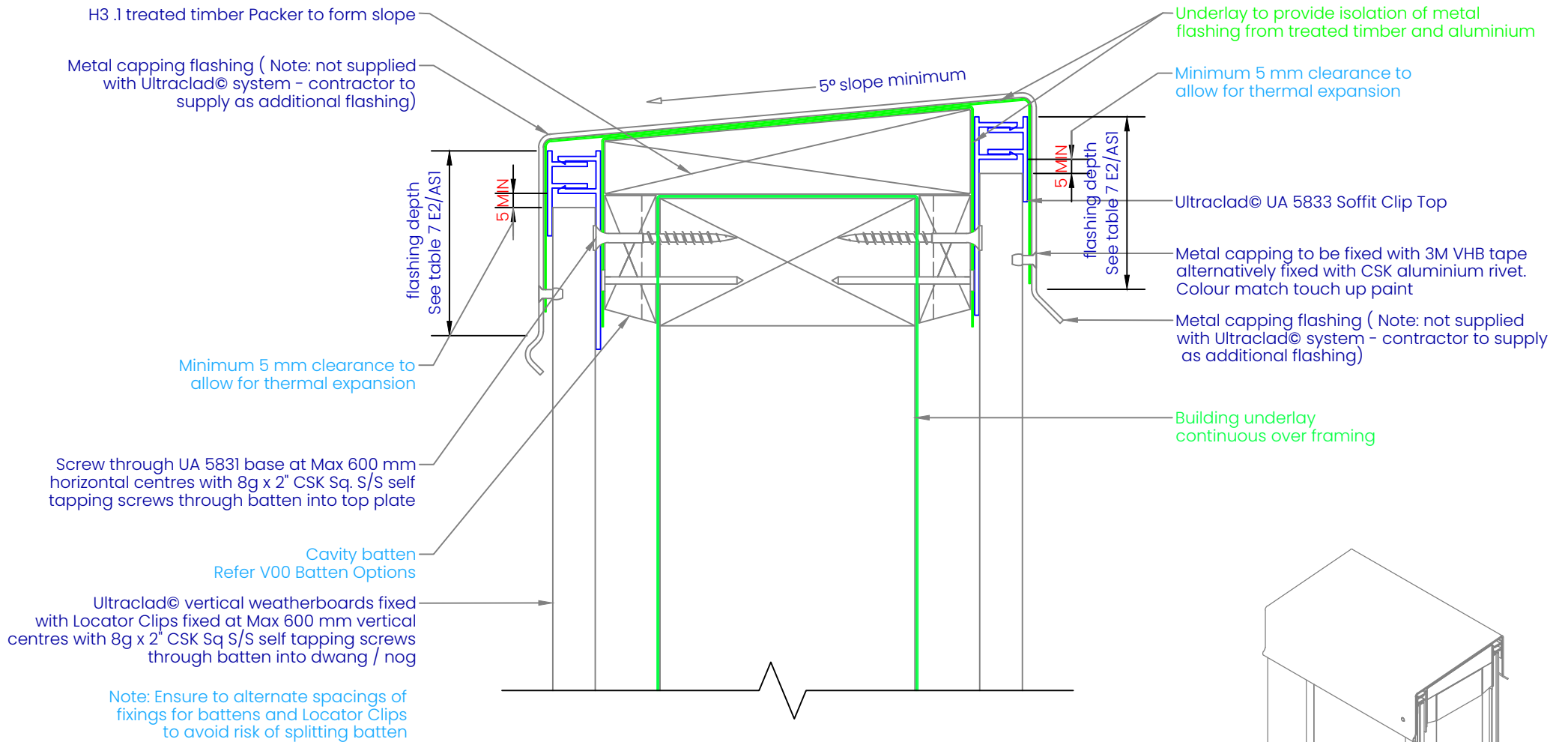
REVISION:	11
SCALE:	1 : 3 (@A4)
DATE:	2024
BRANZ APPRAISAL #796	

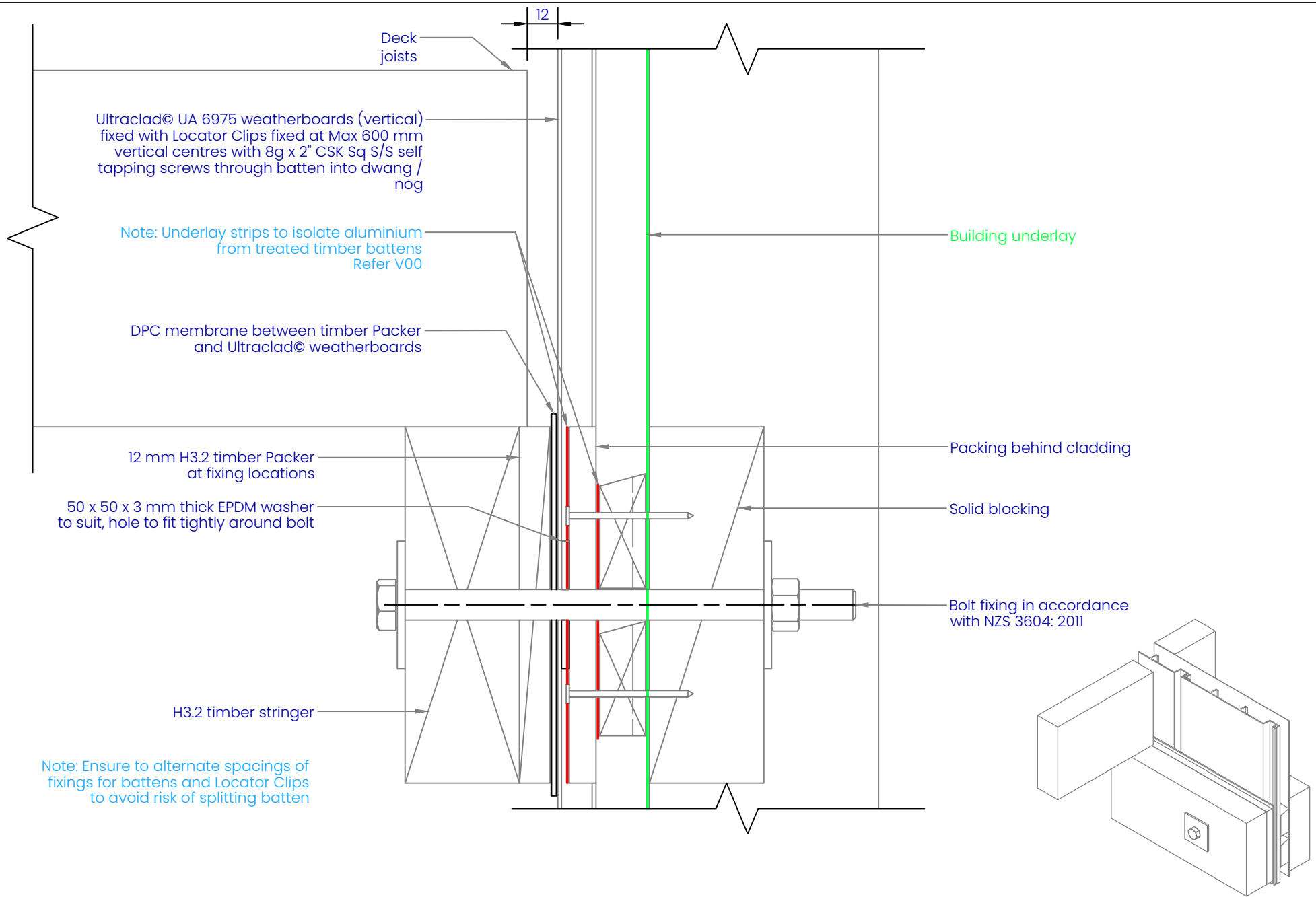


V20
GUTTER WALL JUNCTION ON CAVITY

Building Systems: Vertical Weatherboard Cavity System

REVISION:	11
SCALE:	1 : 8 (@A4)
DATE:	2024
BRANZ APPRAISAL #796	





ULTRACLAD

Ultra-high performance cladding systems

PO Box 58009
Botany
Auckland 2163

Tel: 0800 500 338
Email: buildingsystems@vulcan.co
Web: buildingsystems.vulcan.co

VULCAN.
© 2023 Vulcan. All rights reserved.

V22

DECK JUNCTION ON CAVITY

Building Systems: Vertical Weatherboard Cavity System

REVISION:	11
SCALE:	1 : 2 (@A4)
DATE:	2024
BRANZ APPRAISAL #796	

Note: Ensure to alternate spacings of fixings for battens and Locator Clips to avoid risk of splitting batten

Ultraclad® vertical weatherboards fixed with Locator Clips fixed at Max 600 mm vertical centres with 8g x 2" CSK Sq S/S self tapping screws through batten into dwang / nog

Building underlay

Cavity batten
Refer V00 Batten Options

Flashing tape

Note: Underlay strips to isolate aluminium from treated timber battens
Refer V00

Ultraclad® UA 4863 Vertical Starter Strip fixed to framing at 300 mm centres with 8g x 2" CSK Sq S/S self tapping screws

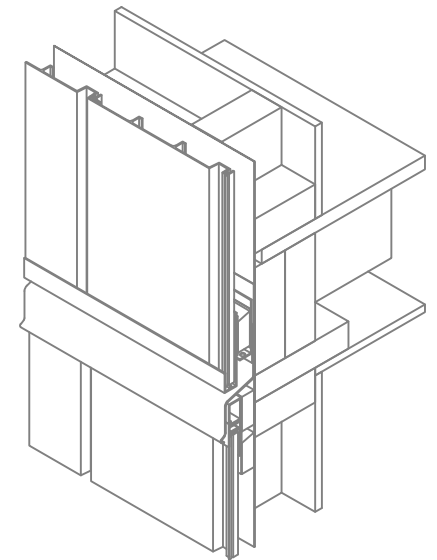
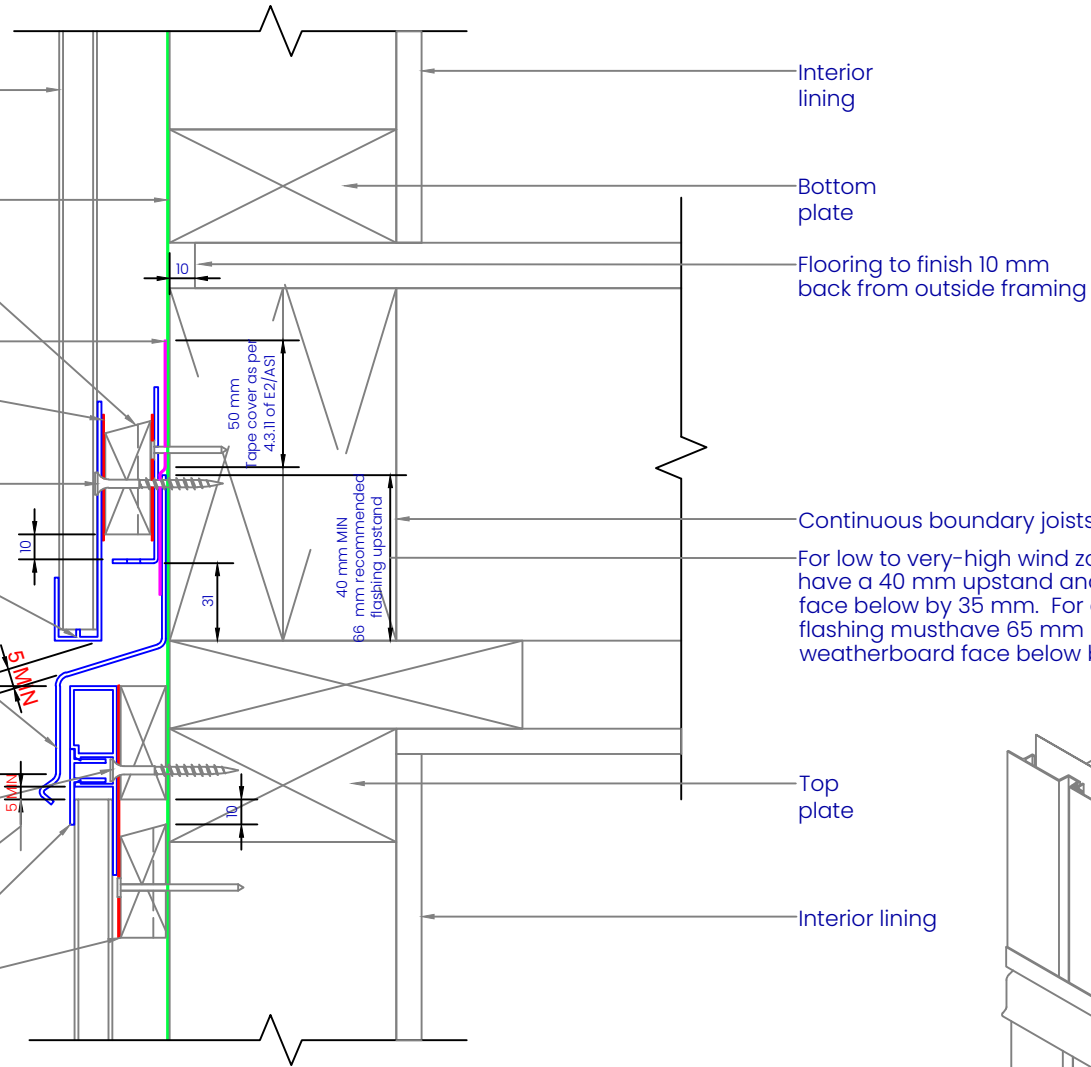
Ultraclad® UA 4863 Board Starter B with 5 mm diameter drainage holes drilled through base of Starter at 300 mm centres

Ultraclad® UA 7919 Inter-Storey Flashing

Screw through UA 7584 base at Max 600 mm horizontal centres with 8g x 2" CSK Sq. S/S self tapping screws through batten into frame
Minimum 5 mm clearance to allow for thermal expansion

Ultraclad® UA 5833 Soffit Clip Top
Cavity batten
Refer V00 Batten Options

Note: this detail is required to limit cavities to 2 storeys or 7 m Max - Refer E2/AS1 clause 9.1.9.4



ULTRACLAD

Ultra-high performance cladding systems

PO Box 58009
Botany
Auckland 2163

Tel: 0800 500 338
Email: buildingsystems@vulcan.co
Web: buildingsystems.vulcan.co

VULCAN.
© 2023 Vulcan. All rights reserved.

V23

INTER-STOREY JUNCTION ON CAVITY

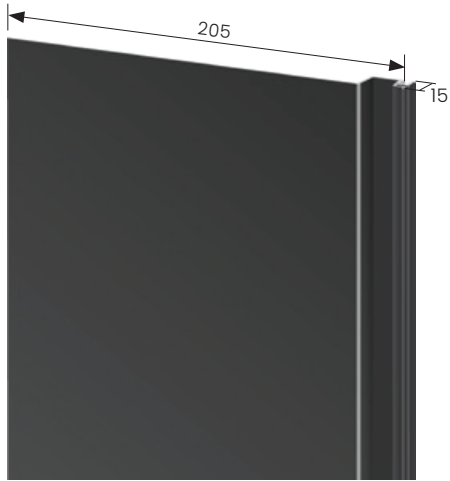
Building Systems: Vertical Weatherboard Cavity System

REVISION: 11

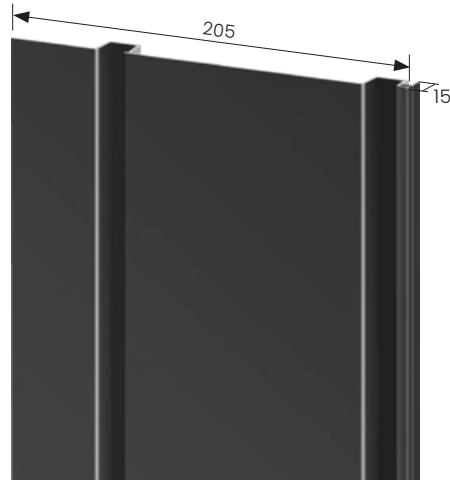
SCALE: 1 : 3 (@A4)

DATE: 2024

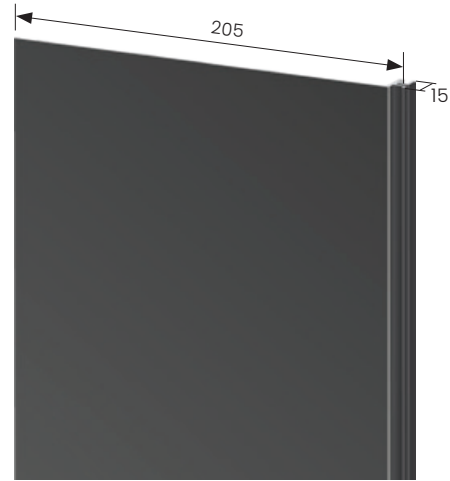
BRANZ APPRAISAL #796



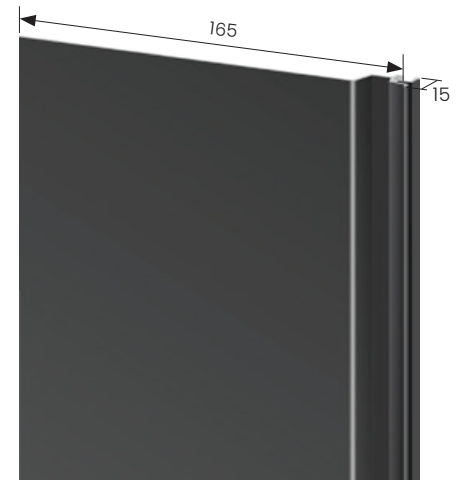
UA 6975 V Shadoline Board



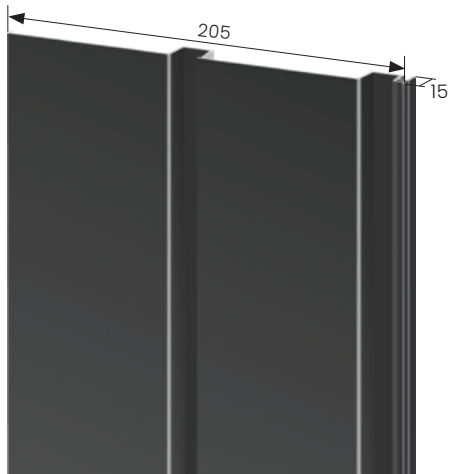
UA 7868 V Shado 140 Board



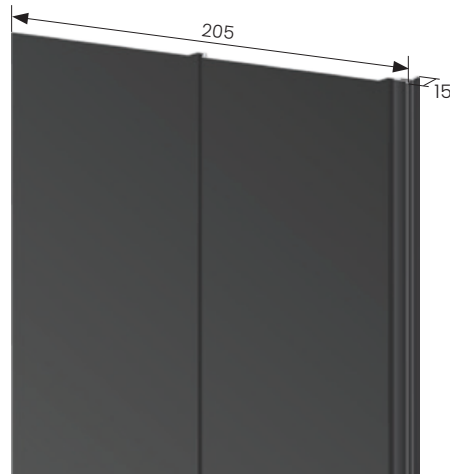
UA 7401 V Infinity Board



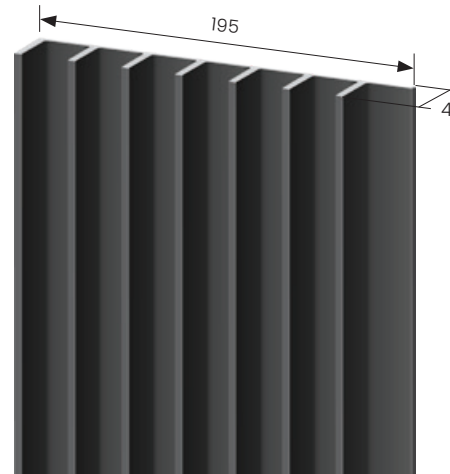
UA 7922 V Shiplap Board



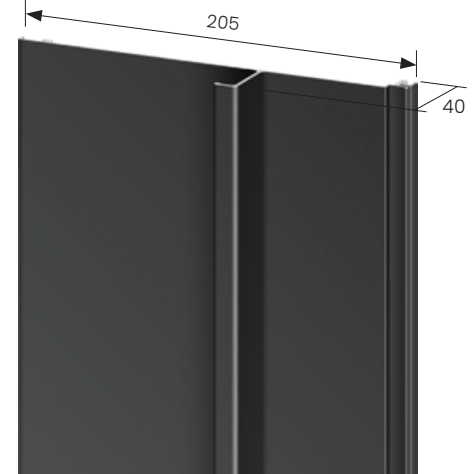
UA 7726 V Shado 100 Board



UA 7923 V UltraLine Board



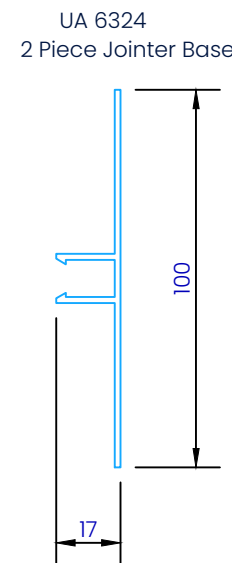
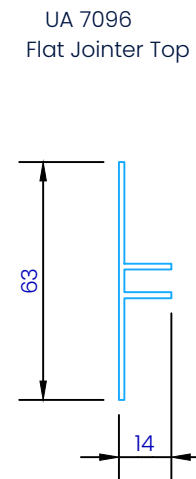
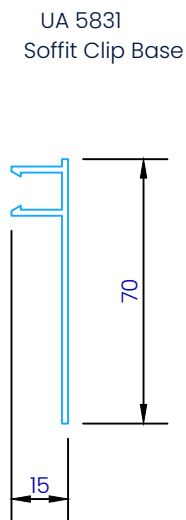
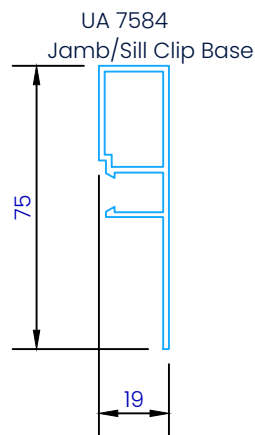
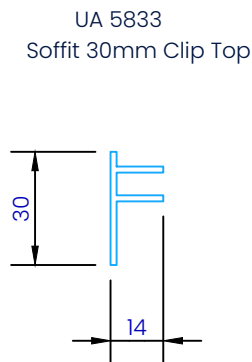
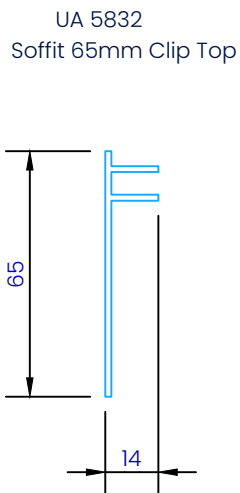
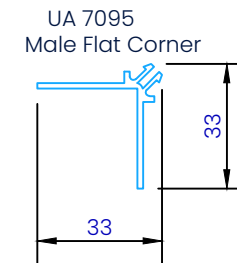
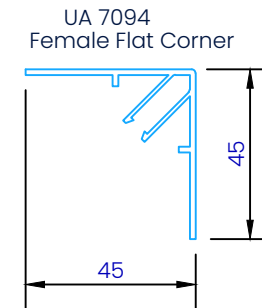
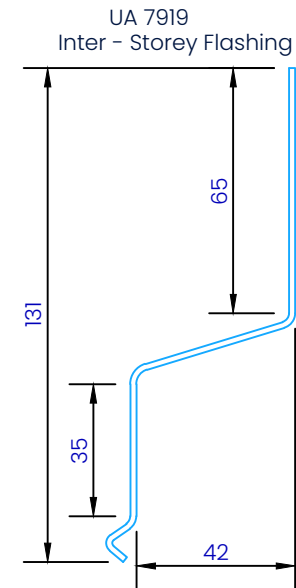
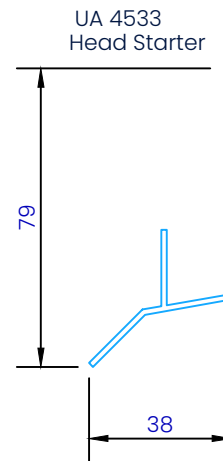
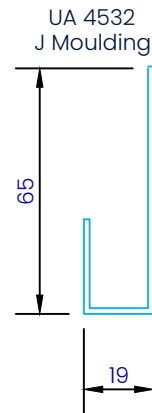
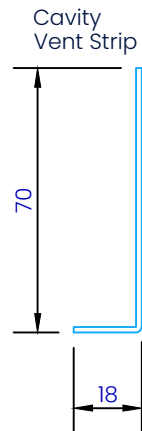
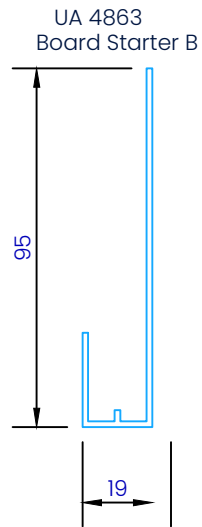
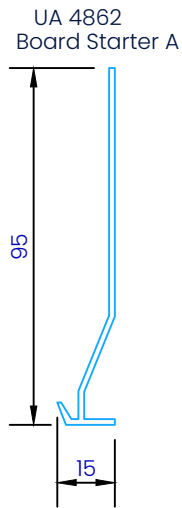
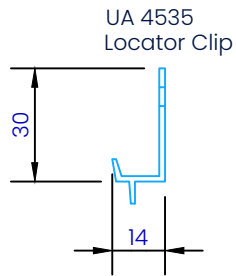
UA 7837 V Fin Board
*only available by special order



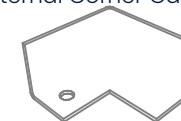
UA 7937 V UltraTray Board
*only available by special order

"Please note that our extrusion profiles may vary slightly in measurements due to the manufacturing process. While we strive for consistency, minor deviations may occur. Additionally, we reserve the right to make improvements or modifications to our products in order to enhance quality or functionality."

REVISION:	11
SCALE:	1 : 2 (@A4)
DATE:	2024
BRANZ APPRAISAL #796	



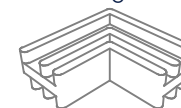
CLADNRCAPE
External Corner Cap (1 : 3)



CLADNRCAPI
Internal Corner Cap (1 : 3)



CLADSTAKECNR
Plastic Staking Corner (1 : 3)



REVISION:	11
SCALE:	1 : 2 (@A4)
DATE:	2024
BRANZ APPRAISAL #796	